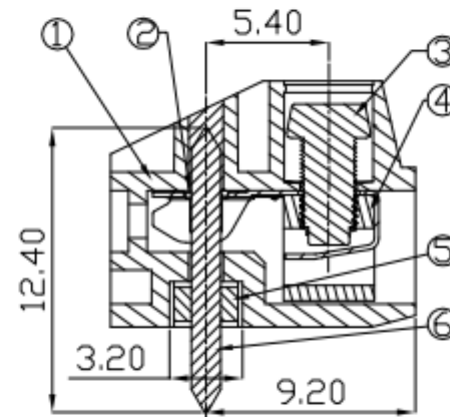
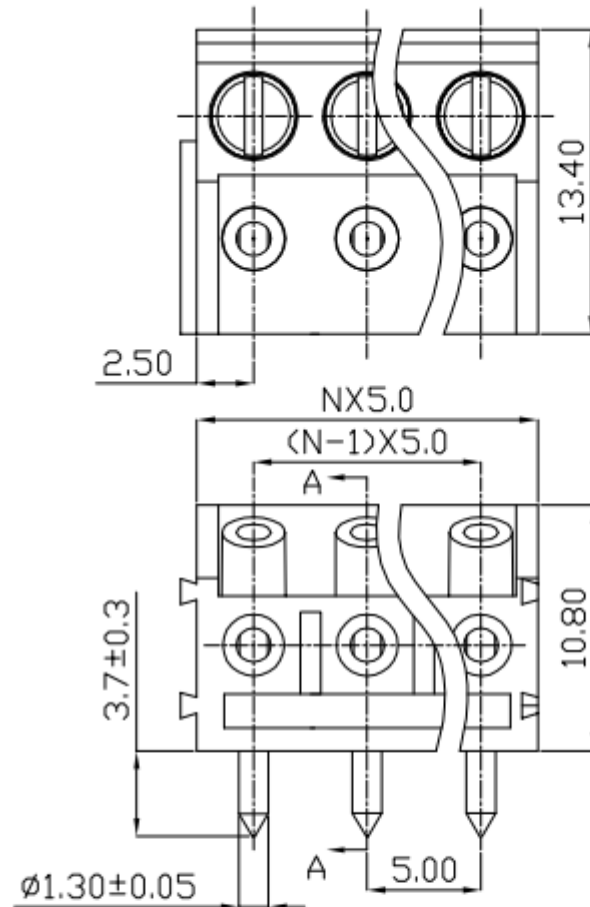
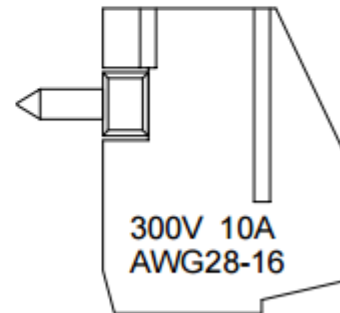
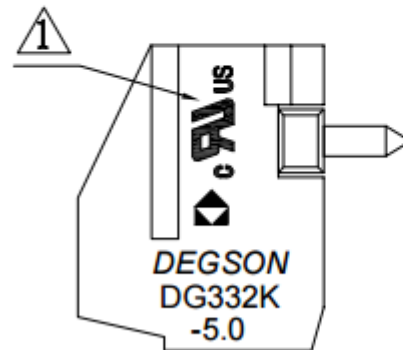


REVISED RECORD				
REV	ECD	DESCRIPTION	DRFT	DATE
△		去掉机中的小“X”字	WLM	07/16/08

RoHS



SECTION A-A



Notes:

1. Pitch:5.0mm , Poles:2-XXP
2. Rated voltage/current:UL 300V/10A
IEC 250V/17.5A
3. Operation temperatures:-30℃~+120℃
4. Withstanding Voltage:AC2000V/1Min
5. Insulation Resistance:5000MΩ/DC1000V
6. Wire Range:28~16AWG, 1.5mm²
7. Max. Torque Value:M2. 5, 4. 08kgf. cm
8. Undimensioned Tolerances:

Pitch range in mm		Nominal dimension range in mm						
to	over	to	over	to	over	to	over	
6	6	10	30	60	100	150		∩
6	10	24	30	60	100	150		◇
±0.10	±0.15	±0.25	±0.2	±0.3	±0.5	±0.7	±1.0	0.05/0

ITEM	NAME OF PART	NO. OF PART	Q'TY	MATERIAL	NOTES
6	DG332-Pin header	4014B00010(H)	XX	Brass	SnCe
5	DG332J-5.0-Housing	4014A03XXA(H)	1	PA66+10%GF	UL94V-0
4	DG332-Cage	X00000280(H)	XX	Brass	Ni plated
3	DG332-Screws	S000001390(H)	XX	Steel	Cr ³⁺ Zn
2	DG332-Spring	X00000270(H)	XX	Phosphor bronze	Ni plated
1	DG332K-5.0 Housing	4013A02XXB(H)	1	PBT	UL94V-0

TOLERANCES EXCEPT AS NOTED		DATE 03/26/08		DEGSON® 宁波高正电子有限公司 DEGSON ELECTRONICS CO., LTD	
MM	±	DATE		NAME	DG332KJ-5.0-XXP-1Y-00A(H)
MM	±	DATE		DRAWING NO.	DG332KJ-E01
MM	±	DATE		/PART NO.	
ANGLES ± 1°		DATE		SCALE	1 : 1
THIRD ANGLE PROJECTION		DATE		DO NOT SCALE DRAWING	
		DATE		SHEET 1	OF 1