

## 3590S Potentiometer/10k multi turn potentiometer

所属分类: 3590

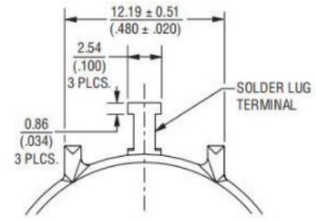
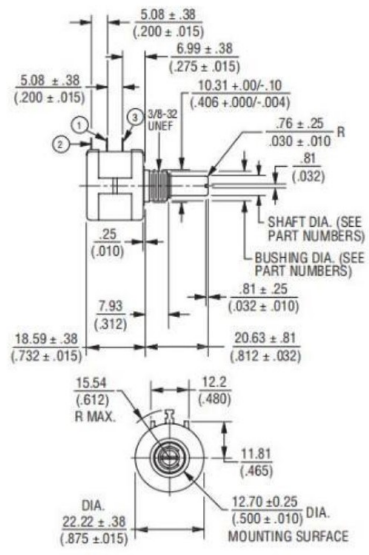
概要: Wire-wound Potentiometer WXD3590 Electrical Characteristics Standard Resistance Range 100Ω~100KΩ Resistance Tolerance ±5% Independent Linearity ±0.25% Terminal Resistance ≤0.2%R or 5Ω Contact Resistance Variation (CRV) ≤3%R or 3Ω Insulation Resistance R1≥ 1GΩ Withstand Voltage 101.3kPa 710V 8.5kPa 470V Rated Power 2W (315V max) Effective Electrical Travel ≥3600° -10° Environment Characteristics Temperature Range -55°C~+125°C Temperature Coefficient ±100... FOB Price: US \$0.01 - 99/ Piece Min.Order Quantity: 1000 Pieces for Trimming Pot; 100 Pieces for Wire-wound Pot; and etc. Supply Ability: 100000000 Pieces per Month Production Time: 5-10 workdays for regular orders; 1-5 workdays for samples order. Port: Shenzhen, Shanghai, Ningbo, Guangzhou, Chengdu and etc Payment Terms: Western Union, Visa/Master Card, T/T, Paypal, e-checking and etc Services: ODM, OEM



### 产品介绍

#### Wire-wound Potentiometer WXD3590

Wire-wound Potentiometer WXD3590		
Electrical Characteristics	Standard Resistance Range	100Ω~100KΩ
	Resistance Tolerance	±5%
	Independent Linearity	±0.25%
	Terminal Resistance	≤0.2%R or 5Ω
	Contact Resistance Variation (CRV)	≤3%R or 3Ω
	Insulation Resistance	R1≥ 1GΩ
	Withstand Voltage	101.3kPa 710V 8.5kPa 470V
	Rated Power	2W (315V max)
	Effective Electrical Travel	≥3600° -10°
Environment Characteristics	Temperature Range	-55°C~+125°C
	Temperature Coefficient	±100ppm/°C
	Temperature Variation	ΔR≤±2%R, ΔUab/Uac≤±1%R
	Collision (390m/S <sup>2</sup> , 4000 times)	ΔR≤±1%R
	Vibration (10-500HZ, 0.75mm or 98m/S <sup>2</sup> 2 6h)	ΔR≤±1%R, ΔUab/Uac≤±2%R
	Climate Category	ΔR≤± 3%R, R1≥100MΩ
	Electrical Endurance (70°C, 2W, 1000h)	ΔR≤± 3%R
	Mechanical Endurance (10000 cycles)	ΔR≤± 3%R
Physical Characteristics	Steady Damp-Heat	ΔR≤± 3%R, R1≥100MΩ
	Total Mechanical Travel	3600°±10°
	Starting Torque	≤36mN.m
	Clutch Torque	≤300mN.m



关键词: 3590S Potentiometer/10k multi turn potentiometer