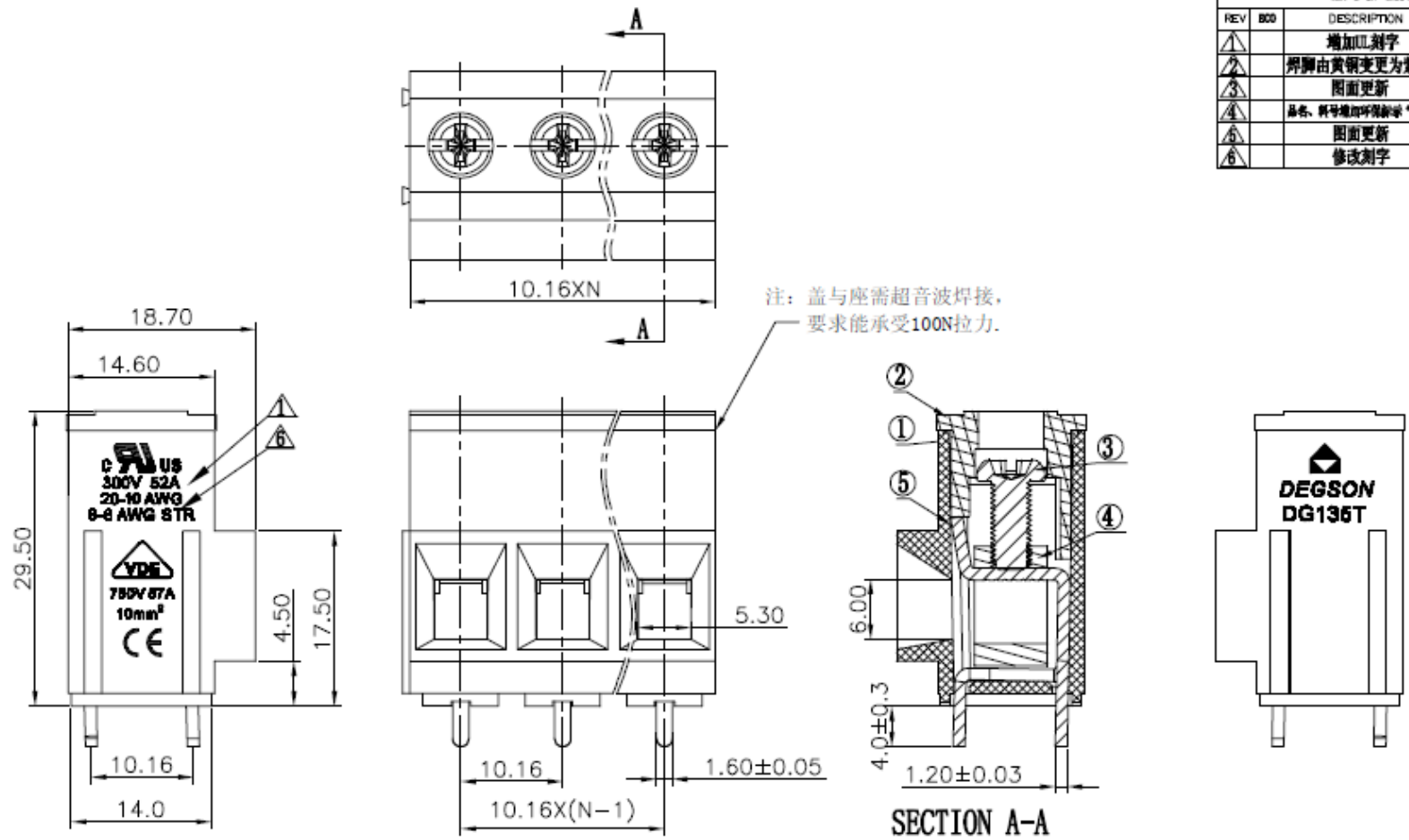


REVISION RECORD				
REV	ECO	DESCRIPTION	DEPT	DATE
△		增加UL刻字	CSX	10/05/06*
△		焊脚由黄铜变更为紫铜	CSX	10/20/06*
△		图面更新	YeJ	05/11/07*
△		品名、料号增加环保标示*00*	CSX	12/10/07*
△		图面更新	LJH	04/19/08*
△		修改刻字	HD	10/20/08*



- Notes:
1. Pitch: 10.16mm , Poles: 2-XXP
  2. Rated voltage/current: UL 300V/52A △  
VDE 750V/57A
  3. Operation temperatures: -40°C ~ +105°C
  4. Withstanding Voltage: AC2000V/1min
  5. Insulation Resistance: 5000MΩ/DC1000V
  6. Wire Range: 20~6AWG, 10mm<sup>2</sup>
  7. Max. Torque Value: M4, 12.24kgf.cm
  8. Undimensioned Tolerances:

Pitch range in mm		Nominal dimension range in mm							
		over 6	over 10	over 10	over 30	over 60	over 100	over 150	
to 6	to 10	to 24	to 30	to 60	to 100	to 150			∩
±0.10	±0.15	±0.25	±0.2	±0.3	±0.5	±0.7	±1.0	0.05/0	□

ITEM	NAME OF PART	NO. OF PART	Q'TY	MATERIAL	NOTES
5	DG135T- Pin header	4010B00020 (H)	XX	Pure copper	SnCe
4	DG135T- Cage	X000000920 (H)	XX	Brass	Ni Plated
3	DG135T- Screw	S000001520 (H)	XX	Steel	Cr <sup>3+</sup> Zn
2	DG135T-10.16-00A Cover	4010C0VXXA (H)	1	PBT	UL94V-0
1	DG135T-10.16-00A Housing	4010A0VXXA (H)	1	PBT	UL94V-0

DATE	DATE	DATE	DATE
DATE	DATE	DATE	DATE
DATE	DATE	DATE	DATE
DATE	DATE	DATE	DATE

DEPT: 部		DATE: 10/11/06*
DESIGN: 设计		DATE:
DRA: 制图		DATE:
CHECK: 审核		DATE:
MATERIAL: _____		
G. B: _____		
FINISH: _____		
SCALE: 1:1		

宁波高正电子有限公司 DEGSON® DEGSON ELECTRONICS CO., LTD	
NAME: △	
DG135T-10.16-XXP-1Y-00A (H)	
DRAWING NO. DG135T-10.16-B01	SHEET A3
REV. 01	REV. 01
DO NOT SCALE DRAWING	SHEET 1 OF 1