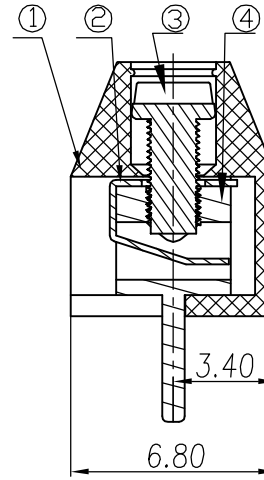
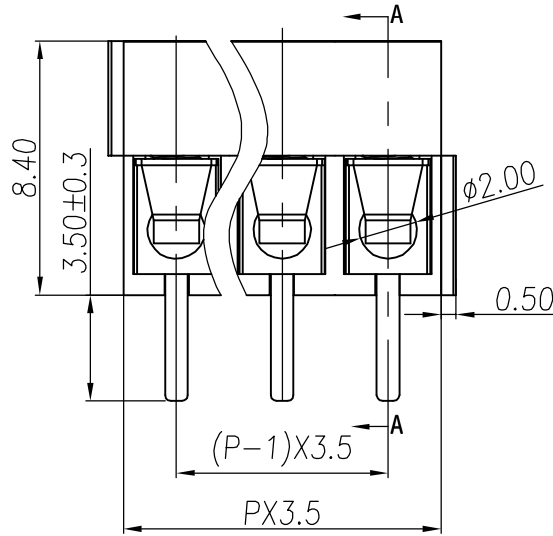
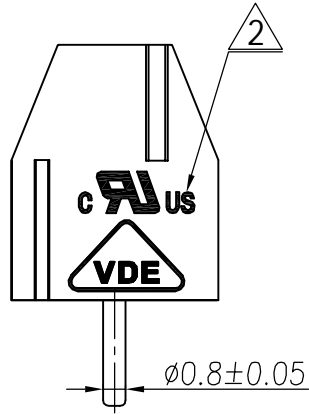
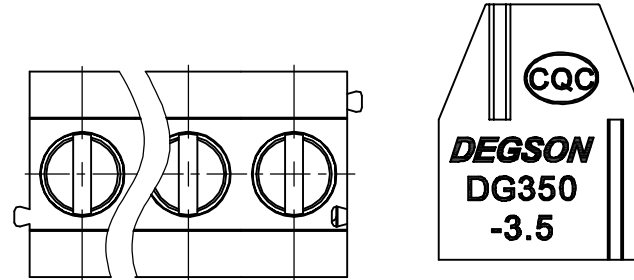


REVISION RECORD				
REV	ECD	DESCRIPTION	DRFT	DATE
△		Drawing revise	Haoyh	03/17/06
△		增加VDE标志	LJH	12/25/07

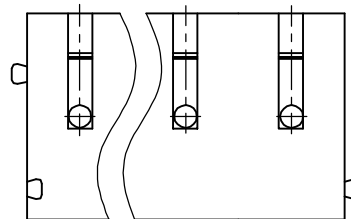


SECTION A-A

Notes:

1. Pitch: 3.5mm
2. Rated voltage/current: UL 300V/10A
VDE 130V/10A
3. Operation temperatures: $-40^{\circ}\text{C} \sim +105^{\circ}\text{C}$
4. Withstanding Voltage: AC1500V/1min
5. Insulation Resistance: $5000\text{M}\Omega / \text{DC}1000\text{V}$
6. Wire Range: 24-18AWG, 1.0mm²
7. Max. Torque Value: 2.04kgf.cm
8. Undimensioned Tolerances:

Pitch range in mm		Nominal dimension range in mm					—
to	over	to	over	to	over	to	
6	6 to 10	10 to 24	30 to 60	60 to 100	100 to 150	150 to	
±0.10	±0.15	±0.25	±0.2	±0.3	±0.5	±0.7	
						±1.0	
						0.05/10	



4	DG350(A) Pin header	4017B00010(H)	XX	Brass	SnCe
3	DG350 M2" Screws	S000001400(H)	XX	Steel	Cr ³⁺ Zn
2	DG350 Spring	X000000290(H)	XX	Phosphor bronze	Ni plated

1	DG350-3.5-Housing	4017A0YXXA(H)	1	PA66	UL94V-0
ITEM	NAME OF PART	NO. OF PART	Q'TY	MATERIAL	NOTES
DETACHED LISTS	MM (INCH)	DRFT Haoyh	DATE	04/18/05	
	TOLERANCES EXCEPT AS NOTED	CHKD	DATE		
		MFD	DATE		
		APPVL	DATE		
	ANGLES ± 1°	G.E.			
	THIRD ANGLE PROJECTION	FINISH:			
	SCALE: 1:1				
				宁波高正电子有限公司 DEGSON ELECTRONICS CO., LTD	
				NAME: DG350-3.5-XXP-1Y-00A(H)	
				DRAWING NO. DG350-3.5-E01	
				/PART NO.	
				SIZE A3	REV T2 12/25/07
				DO NOT SCALE DRAWING	
				SHEET 1	OF 1