

# METALLIZED POLYESTER FILM CAPACITOR-MER/MEF

NON-INDUCTIVE, EXTENDED FOIL, DIP COATED, HIGH MOISTURE RESISTANCE

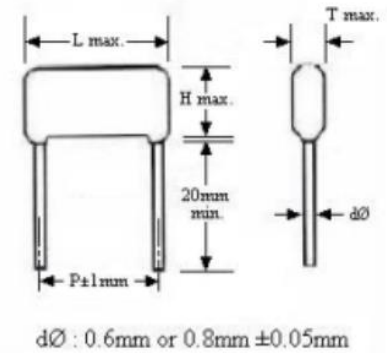
## FEATURES

# CL21

- High reliable with its Self-Healing performance.
- Coated with epoxy resin for superior heat resistance, humidity resistance and solvent resistance.
- Good reputation in use with filtering, DC blocking coupling and general communication equipment,

## SPECIFICATIONS

OPERATING TEMPERATURE	-40 °C TO +85°C
RATED VOLTAGE	DC 250V, 400V, 630V
CAPACITANCE RANGE	0.01 TO 6.8 μF
CAPACITANCE TOLERANCE	±5%, ± 10%, ±20%
INSULATION RESISTANCE	C < 0.33μF R ≥ 15,000MΩ
	C ≥ 0.33μF RC ≥ 5.000MΩ Mfd
DISSIPATION FACTOR	≤ 0.01 (AT 1KHZ)
DIELECTRIC STRENGTH	150% of rated voltage for 5sec.



VDC Mfd	100V				250V				400V				630V			
	L	T	H	P	L	T	H	P	L	T	H	P	L	T	H	P
0.01	9	3.5	6.5	7.5	12	4	7	10	12	4.5	7.5	10	12	4	7	10
0.015	12	5	8	10	12	5	8	10	12	5	8	10	12	5	8	10
0.018	12	5	8	10	12	5	8	10	12	5	8	10	12	5	8	10
0.022	12	5	8	10	12	5.5	9	10	12	5.5	9	10	12	5.5	9	10
0.027	12.5	5	9	10	12.5	5.5	9	10	12.5	5.5	9	10	12.5	5.5	9	10
0.033	12.5	5	9	10	12.5	5.5	9	10	12	5.5	9	10	12.5	5.5	9	10
0.039	12.5	5	9	10	12.5	5.5	9	10	12.5	6	9	10	12.5	5.5	9	10
0.047	12.5	5	9	10	12.5	5.5	10	10	12.5	6	10	10	12.5	5.5	9	10
0.056	12.5	5	9	10	12.5	5.5	10	10	12.5	6	10	10	12.5	5.5	9	10
0.068	12.5	5	9	10	12.5	5.5	10	10	12.5	6.5	10	10	12.5	5.5	9	10
0.082	12.5	5	9	10	12.5	5.5	10	10	12.5	6.5	10	10	12.5	5.5	9	10
0.1	12.5	5	9.5	10	12.5	5.5	10	10	12.5	6.5	11	10	17.5	6	11	15
0.15	12.5	5	9.5	10	12.5	5.5	10	10	12.5	6.5	12	10	17.5	8	13	15
0.18	12.5	6	10	10	12.5	6	10.5	10	17	5	10	15	17.5	8	13	15.5
0.22	12.5	6	10	10	12.5	6	10.5	10	17	6	10.5	15	23	8.5	14.5	20.5
0.27	17	6	9	15	17	6	10.5	15	17	6.5	11.5	15	23	8.5	14.5	20.5
0.33	17.5	6	11	15	17	6	11	15	17.5	6.5	13.5	15	23	8.5	14.5	20.5
0.39	17.5	7	11	15	17.5	7	13	15.5	18	7	14	15	23	10.5	15	20.5
0.47	17.5	5	10.5	15	18	7	13.5	15	18	7	13	15	23	10.5	15	20.5
0.5	17.5	5	10.5	15	17	7	13.5	15	18	8	15	15	23	10.5	15.5	20
0.56	17.5	5	10.5	15	17	7	13.5	15	18	9	16	15	23	10.5	15.5	20.5
0.68	17	7	13.5	15	18	7	13.5	15	23	8	14	20.5	23	11	18	20.5
0.82	18	7.5	13.5	15	18	7	13.5	15	23.5	8.5	16	20.5	29.5	9	20	26.5
1	18	7.5	14	15	23	7	13.5	20	23.5	9	19	20.5	29.5	10	20	26.5
1.1	18	7.5	14.5	15	23	7.5	13.5	20	23.5	9.5	19.5	20.5	29.5	10	20.5	26.5
1.2	23	7.5	14.5	20	23	8	16	20	23.5	9.5	19.5	20.5	29.5	10.5	20.5	26.5
1.5	23	7.5	16	20	23	8	16.5	20.5	24	10	22	20.5	29.5	13	23	26.5
1.8	23	8.5	16.5	20	23	8.5	16.5	20.5	24	12	20.5	20.5	29.5	14	24.5	26.5
2.2	23	9.5	17	20	30	8.5	17.5	27	30	12.5	21	26	30	15.5	24.5	26.5
2.5	23.5	10	18.5	20	30	8.5	19	27	30	12.5	21	26	35	17	25	30
2.7	23.5	11	20.5	20	30	9	19	27.5	30	14	21	27	30	19	33	31.5
3.3	23.5	11	20.5	20	30	9.5	20.5	27.5	30	12.5	27	27	35	19	33	31.5
4.5	30.5	12.5	23.5	27.5	30	11.5	23	27.5	30.5	15.5	26.5	27.5	35	22.5	33	31.5
4.7	30.5	12.5	23.5	27.5	30.5	13	24	27.5	34	16	24.5	31	45	17.5	27.5	41
5.2	34	12.5	24	31.5	30.5	13	24	27.5	34.5	17.5	25	31	45	20.5	29.5	41
5.6	29.5	14	26.5	27.5	31	13	24	27.5	35	20	28	31	45	22	32	41
6.8	29.5	14	26.5	27.2	30.5	16	26.5	27.5	35	20	28	31	45	22	32	41