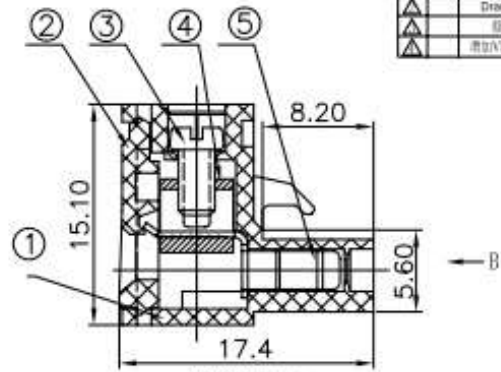
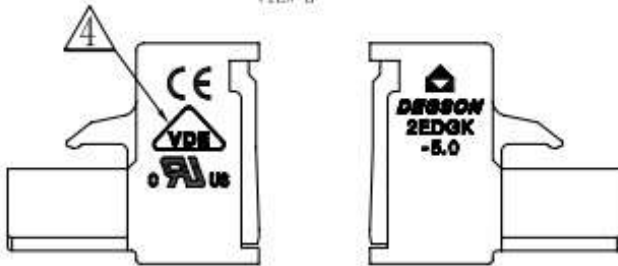


VIEW-B



SECTION A-A

Notes:

1. Pitch: 5.0mm Poles:2-24p
2. Rated voltage/current:UL 300V/15A
VDE 320V/20A
3. Insulation resistance: 5000M Ω /1000V
4. Withstanding voltage: AC1500V/1Min
5. Wire range: 28-12AWG 2.5mm²
6. Temp. Range: -40^o C~+105^o C
7. Torque: 4.08kgf.cm
8. Undimensioned Tolerances:

Pitch range in mm		Nominal dimension range in mm					
to	over	to	to	to	to	to	
6	10	10	24	30	60	100	150
6	10	24	30	60	100	150	
± 0.10	± 0.15	± 0.25	± 0.2	± 0.3	± 0.5	± 0.7	± 1.0

1	2EDGK-5.0-Housing	10160YXXX(H)	1	P666	UL94V-0										
ITEM	NAME OF PART	NO. OF PART	Q'TY	MATERIAL	NOTES										
<table border="1" style="width: 100%;"> <tr> <td>DATE</td> <td>04/18/05</td> </tr> <tr> <td>APPV</td> <td></td> </tr> <tr> <td colspan="2">MATERIAL:</td> </tr> <tr> <td colspan="2">FINISH:</td> </tr> <tr> <td colspan="2">SCALE: 1:1</td> </tr> </table>						DATE	04/18/05	APPV		MATERIAL:		FINISH:		SCALE: 1:1	
DATE	04/18/05														
APPV															
MATERIAL:															
FINISH:															
SCALE: 1:1															
DEGSON 宁波德森电子有限公司 DEGSON ELECTRONICS CO., LTD.			NAME: 2EDGK-5.0-XXP-1Y-00A(H) DRAWING NO. 2EDGK-5.0-E10 /PART NO.												
DO NOT SCALE DRAWING				SHEET 1	OF 1										

5	2EDG Screws-M2.5	S000001370 (H)	XX	Steel	Cr ²⁺ Zn
4	DG128-Brass cage	X000000020 (H)	XX	Brass	Ni plated
3	2EDG-Clamp	1005800010 (H)	XX	Phosphor bronze	Ni plated
2	2EDG-5.0-Cover	10160YXXX (H)	1	P666	UL94V-0

8 | 7 | 6 | 5 | 4 | 3 | 2 | 1