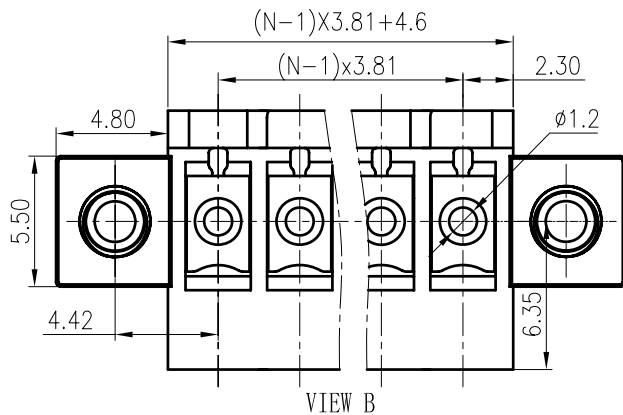
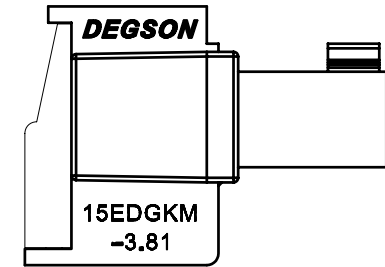
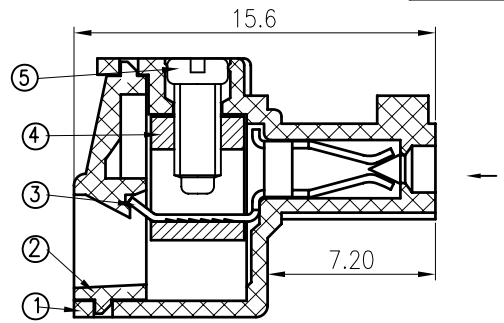
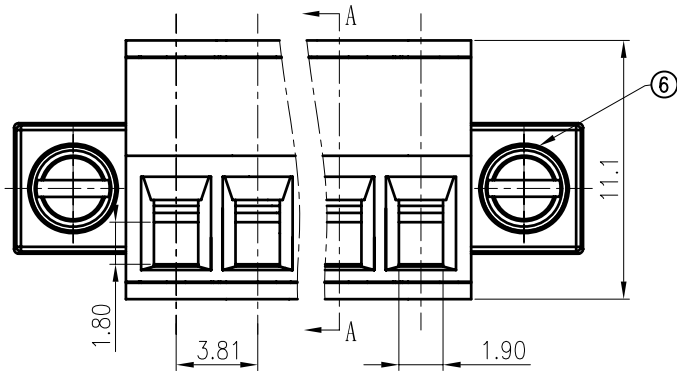
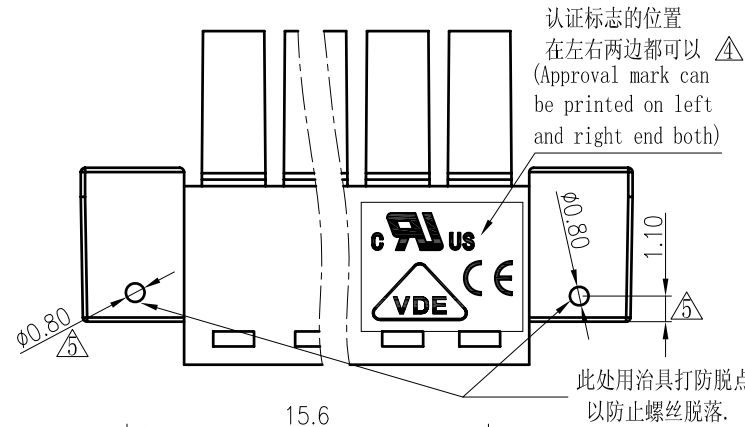
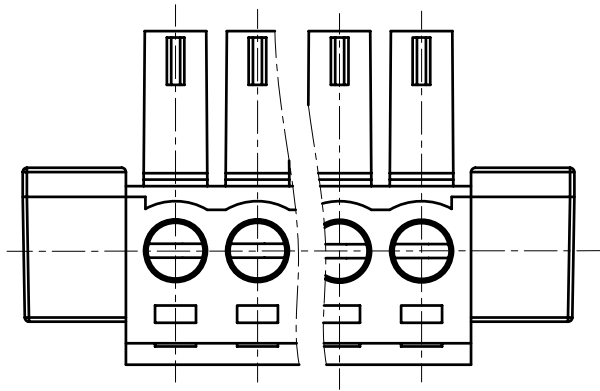


| REVISION RECORD | | | | | |
|-----------------|-----|------------------|-------|----------|--|
| REV | ECO | DESCRIPTION | DRFT | DATE | |
| ① | | Drawing emend | WF | 05/08/06 | |
| ② | | 品名、料号增加环保标示“(H)” | LJH | 12/11/07 | |
| ③ | | 增加VDE刻字及修改料号 | Zengy | 01/12/09 | |
| ④ | | 修改螺丝防脱卡点位置及尺寸 | WLM | 04/21/09 | |



SECTION A-A

Notes:

- Pitch: 3.81mm, Poles: 2-24P
- Rated voltage/current: UL 300V/8A
VDE 250V/7A
- Operation temperatures: -40°C ~ +105°C
- Withstanding Voltage: AC2000V/1Min
- Insulation Resistance: 5000MΩ/DC1000V
- Wire Range: 28~16AWG, 0.5~1.5mm²
- Max. Torque Value: M2, 2.04kgf.cm
- Undimensioned Tolerances:

| | Pitch range in mm | | | | Nominal dimension range in mm | | | — |
|-------|-------------------|--------------|---------------|-------|-------------------------------|----------------|-----------------|---------|
| | to 6 | over 6 to 10 | over 10 to 24 | to 30 | over 30 to 60 | over 60 to 100 | over 100 to 150 | |
| ±0.10 | ±0.15 | ±0.25 | ±0.2 | ±0.3 | ±0.5 | ±0.7 | ±1.0 | 0.05/10 |

| ITEM | DESCRIPTION | QTY | MATERIAL | REMARKS |
|------|-------------------|-----|----------------|---------------------|
| 6 | 2EDG-“—”Screws | 2 | Steel | Cr ³⁺ Zn |
| 5 | 15EDG-“—”Screws | XX | Steel | Cr ³⁺ Zn |
| 4 | 15EDG-Brass cage | XX | Brass | Ni plated |
| 3 | 15EDG-Clamp | XX | Phoshor Bronze | Ni plated |
| 2 | 15EDGK-3.81-Cover | 1 | PA66 | UL94V-0 |

| ITEM | NAME OF PART | NO. OF PART | Q"TY | MATERIAL | NOTES |
|------|----------------------|----------------|------|----------|---------|
| 1 | 15EDGKM-3.81-Housing | 1038A0YXXA (H) | 1 | PA66 | UL94V-0 |

| | | |
|---|--|---|
| DFTO LIUM CHKD MFO APPVL | DATE 10/28/04" DATE DATE DATE | 宁波高正电子有限公司 DEGSON ELECTRONICS CO., LTD |
| TOLERANCES EXCEPT AS NOTED .0 ± .00 ± .000 ± | | |
| ANGLES ± 1° THIRD ANGLE PROJECTION | | NAME 15EDGKM-3.81-XXP-1Y-00A (H) |
| G.E : FINISH : SCALE : 1:1 | | DRAWING NO. 15EDGKM-3.81-E01 /PART NO. SIZE A3 REV T5 04/21/09 |
| DO NOT SCALE DRAWING | | SHEET 1 OF 1 |