

Series
TF353-800

High Frequency Inverter grade Capsule Thyristor Type TF353-800

Low switching losses
Low reverse recovery charge
Distributed amplified gate for high di/dt

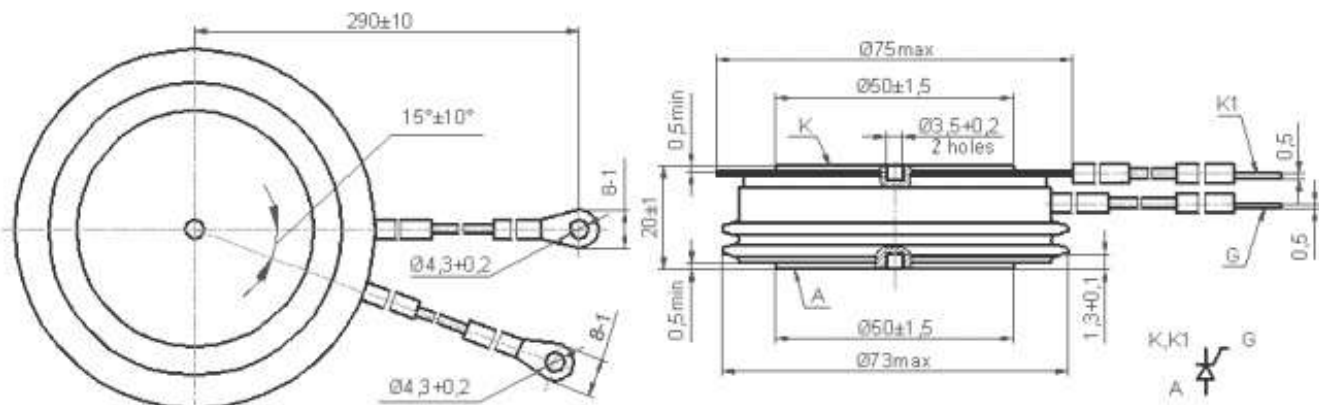
Maximum mean on-state current	I_{TAV}	800 A					
Maximum repetitive peak off-state and reverse voltage	U_{DRM} U_{RRM}	1200 +2000 V					
Turn-off time	t_q	32; 40; 50 μs					
U_{DRM}, U_{RRM}, V	1200	1300	1400	1500	1600	1800	2000
Voltage code	12	13	14	15	16	18	20
$T_{vj}, ^\circ C$	- 60 ÷ 125						

MAXIMUM ALLOWABLE RATINGS				
Symbols and parameters		Units	TF353-800	Conditions
I_{TAV}	Mean on-state current	A	800 1115	$T_c=82^\circ C$, $T_c=55^\circ C$, 180° half-sine wave, 50 Hz
I_{TRMS}	RMS on-state current	A	1255	$T_c=82^\circ C$
I_{TSM}	Surge on-state current	kA	17 18	$T_{vj}=125^\circ C$ $T_{vj}=25^\circ C$ tp=10 ms $U_R=0$
I^2t	Limiting load integral	kA^2s	1445 1620	$T_{vj}=125^\circ C$ $T_{vj}=25^\circ C$
U_{DRM}, U_{RRM}	Repetitive peak off-state and reverse voltage	V	1200÷2000	$T_{j\ min} \leq T_{vj} \leq T_{j\ M}$ 180° half-sine wave, 50 Hz Gate open
U_{DSM}, U_{RSM}	Non-repetitive peak off-state and reverse voltage	V	1300÷2100	$T_{j\ min} \leq T_{vj} \leq T_{j\ M}$ 180° half-sine wave tp=10 ms, Single pulse Gate open
$(di_T/dt)_{crit}$	Critical rate of rise of on-state current : non - repetitive repetitive	A/ μ s	2000 1250	$T_{vj}=125^\circ C$; $U_D=0,67 U_{DRM}$, Gate pulse : 10V,5 Ω , 1 μ s rise time, 10 μ s
U_{RGM}	Peak reverse gate voltage	V	5	$T_{j\ min} \leq T_{vj} \leq T_{j\ M}$
T_{stg}	Storage temperature	$^\circ C$	-60÷80	
T_{vj}	Junction temperature	$^\circ C$	-60÷125	
CHARACTERISTICS				
U_{TM}	Peak on-state voltage	V	2,8	$T_{vj}=25^\circ C$, $I_{TM}=3,14 I_{TAV}$
$U_{T(TO)}$	Threshold voltage	V	1,4	$T_{vj}=125^\circ C$
R_T	On-state slope resistance	m Ω	0,58	1,57 $I_{TAV} < I_T < 4,71 I_{TAV}$
I_{DRM} I_{RRM}	Repetitive peak off-state and reverse current	mA	150 150	$T_{vj}=125^\circ C$, $U_D = U_{DRM}$ $U_R = U_{RRM}$

CHARACTERISTICS				
Symbols and parameters		Units	TF353-800	Conditions
I_L	Latching current	A	15	$T_{vj}=25^{\circ}\text{C}, U_D=12\text{V}$ Gate pulse : 10V, 5 μs , 1 μs rise time, 10 μs
I_H	Holding current	A	1,5	$T_{vj}=25^{\circ}\text{C}, U_D=12\text{V}$, Gate open
U_{GT}	Gate trigger direct voltage	V	2,5 5,0	$T_{vj}=25^{\circ}\text{C}$, $T_{vj}=-60^{\circ}\text{C}$ $U_D=12\text{V}$
I_{GT}	Gate trigger direct current	A	0,3 0,85	$T_{vj}=25^{\circ}\text{C}$, $T_{vj}=-60^{\circ}\text{C}$
U_{GD}	Gate non-trigger direct voltage	V	0,25	$T_{vj}=125^{\circ}\text{C}$, $U_D = 0,67 U_{DRM}$
I_{GD}	Gate non-trigger direct current	mA	10	Direct gate current
t_{gd}	Delay time	μs	2,5	$T_{vj}=25^{\circ}\text{C}, U_D=500\text{V}$ $I_{TM} = 800\text{ A}$
t_{gt}	Turn-on time	μs	4,0	Gate pulse : 10V, 5 μs , 1 μs rise time, 10 μs
t_q	Turn-off time	μs	32÷50 40÷63	$T_{vj}=125^{\circ}\text{C}$, $I_{TM} = 800\text{ A}$ $di_R/dt = 10\text{ A}/\mu\text{s}$, $U_R=100\text{V}$ $U_D = 0,67 U_{DRM}$ $du_D/dt=50\text{ V}/\mu\text{s}$ $du_D/dt=200\text{ V}/\mu\text{s}$
Q_{rr}	Recovered charge	μC	1500	$T_{vj}=125^{\circ}\text{C}$, $I_{TM} = 800\text{ A}$ $di_R/dt = 50\text{ A}/\mu\text{s}$, $U_R=100\text{V}$
t_{rr}	Reverse recovery time	μs	9	
I_{rrm}	Peak reverse recovery current	A	333	
$(du_D/dt)_{crit}$	Critical rate of rise of off-state voltage	V/ μs	500 1000	$T_{vj}=125^{\circ}\text{C}$, $U_D = 0,67 U_{DRM}$ Gate open
R_{thjc}	Thermal resistance junction to case	$^{\circ}\text{C}/\text{W}$	0,021	Direct current, double side cooled

ORDERING							
	TF	353	800	16	7	3	1
	1	2	3	4	5	6	7

- Fast thyristor with interdigitated gate structure.
- Design version.
- Mean on-state current, A.
- Voltage code (16=1600V).
- Critical rate of rise of off-state voltage ($6 \geq 500\text{ V}/\mu\text{s}$, $7 \geq 1000\text{ V}/\mu\text{s}$).
- Group of turn-off time ($du_D/dt=50\text{ V}/\mu\text{s}$, $2 \leq 50\text{ }\mu\text{s}$, $3 \leq 40\text{ }\mu\text{s}$, $4 \leq 32\text{ }\mu\text{s}$).
- Group of turn-on time ($1 \leq 4,0\mu\text{s}$).



Mounting force : 19 ÷ 28 kN
Weight : 480 grams