

Compact splicing connector; 5-conductor terminal block; with operating levers; max. continuous service temperature 85°C

Item No.: 222-415



Compact splicing connector; 5-conductor terminal block; with operating levers; max. continuous service temperature 85°C

Marking

RoHS ✓
Compliant

Business data

| | |
|----------------------|---------------|
| Supplier | WAGO |
| Item no. | 222-415 |
| GTIN / EAN | 4044918464956 |
| Content | 1 |
| Order amount | 40 |
| Customer item number | |

Notes

Technical data

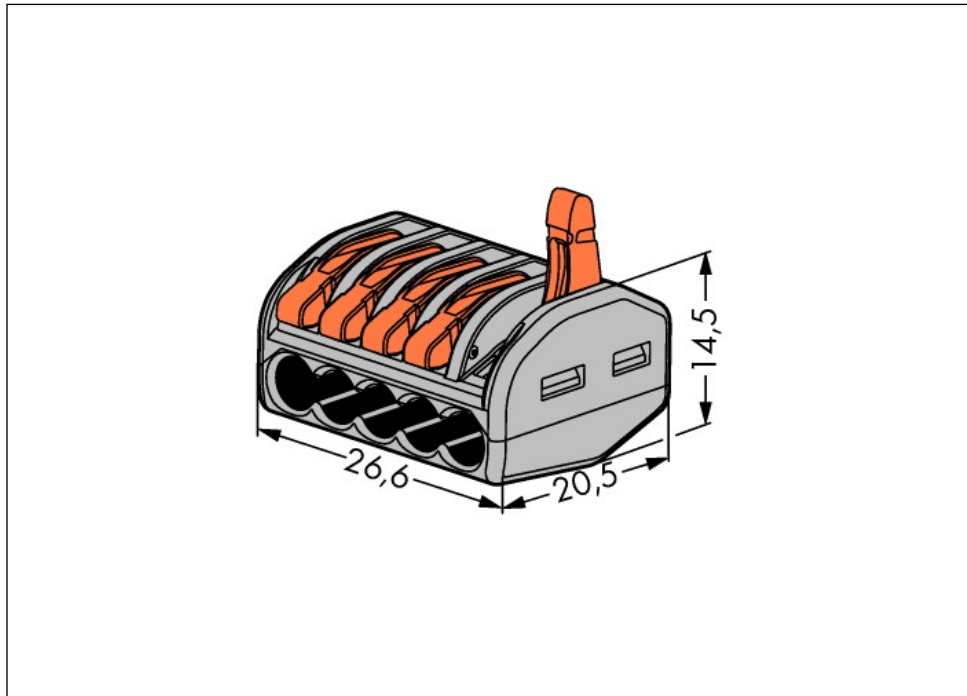
Miscellaneous

| | |
|-----------------------------------|-------------|
| Total number of connection points | 5 |
| Total number of potentials | 1 |
| Color | gray |
| Pollution degree (1) | 2 |
| Rated voltage EN (1) [V] | 400 [V] |
| Rated surge voltage (1) [kV] | 4 [kV] |
| Nominal current [A] | 32 [A] |
| Connection technology (1) | CAGE CLAMP® |

| Technical data | |
|--------------------------------|--|
| <i>Solid sizes 1</i> | <i>0.08 ... 2.5 mm² / 28 ... 12 AWG</i> |
| <i>stranded, connectable 1</i> | <i>0.08 ... 2.5 mm² / 28 ... 12 AWG</i> |
| <i>Fine-stranded wires 1</i> | <i>0.08 ... 4 mm² / 28 ... 12 AWG</i> |
| <i>Strip length 1</i> | <i>9 ... 10 mm / 0.35 ... 0.39 in</i> |
| <i>Type of wiring</i> | <i>Side-entry wiring</i> |
| <i>Fire load [MJ]</i> | <i>0.13 [MJ]</i> |
| <i>Weight [g]</i> | <i>6.58 [g]</i> |
| <i>Width</i> | <i>26.6 mm / 1.047 in</i> |
| <i>Height</i> | <i>14.5 mm / 0.571 in</i> |
| <i>Length</i> | <i>20.5 mm / 0.807 in</i> |
| <i>Safety information 1</i> | <i>In grounded power lines</i> |

Images & drawings





Address

WAGO Kontakttechnik GmbH & Co. KG

Hansastr. 27

32423 Minden

Telefon: 0571/887-0

Fax: 0571/887-169

<http://www.wago.com>

© WAGO Kontakttechnik GmbH & Co. KG

Technische Änderungen und Irrtümer vorbehalten.