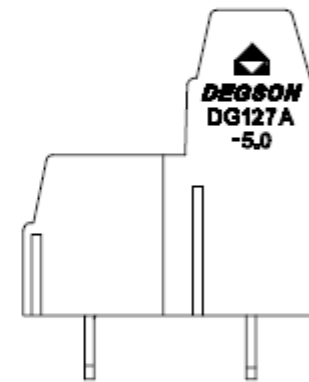
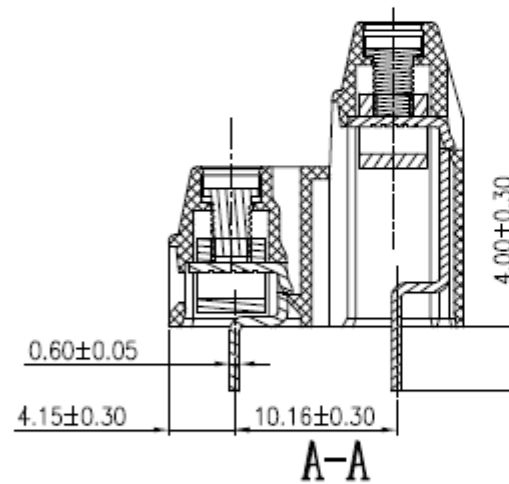


Notes:

- Pitch: 5.0mm , Poles: 4-XXP
- Rated voltage/current: UL 300V/12A
VDE 250V/15A
- Operation temperatures: -40°C ~ +105°C
- Withstanding Voltage: AC2000V/1Min
- Insulation Resistance: 5000M Ω / DC1000V
- Wire Range: 26-14AWG, 0.5-1.5mm²
- Max. Torque Value: M2.5, 4.08kgf.cm
- Undimensioned Tolerances:

Pitch range in mm		Nominal dimension range in mm								
to	over	to	over	to	over	to	over	to	over	
6	10	10	24	30	60	100	150			∩
6	10	24	30	60	100	150				□
±0.10	±0.15	±0.25	±0.2	±0.3	±0.5	±0.7	±1.0	0.05/0.1		



3	DG127A-5.08-PIN	4107B00010 (H)	XX/2	BRASS	SnCe plated
2	DG127 Cage	X000000170 (H)	XX	Brass	Ni plated
1	DG127A-5.0-Housing	4106A0YXXA (H)	1	PA66	UL94V-0
ITEM	NAME OF PART	NO. OF PART	QTY	MATERIAL	NOTES

MM (INCH)		DATE 07/22/08	DEGSON 宁波德森电子有限公司 DEGSON ELECTRONICS CO., LTD		
MM	±	CHKD	DATE	NAME	
.00 ±	±	MFO	DATE	DG127A-5.0-XXP-1Y-00A(H)	
.000 ±	±	APPL	DATE	DRAWING NO. DG127A-5.0-E01	
ANGLES ± 1°		MATERIAL :		SHEET 1 OF 1	
THIRD ANGLE PROJECTION		FINISH :		REV T1 04/13/08	
SCALE : 1:1		DO NOT SCALE DRAWING		REV T1 04/13/08	

5	DG127 "—" Screws	S000001450 (H)	XX	Steel	SnCe plated
4	DG127-5.08-PIN	4028B00010 (H)	XX/2	COPPER	SnCe plated

REVISION RECORD				
REV	ECO	DESCRIPTION	DRFT	DATE
▲		增加VDE, UL, CE标志	Zengy	04/13/08