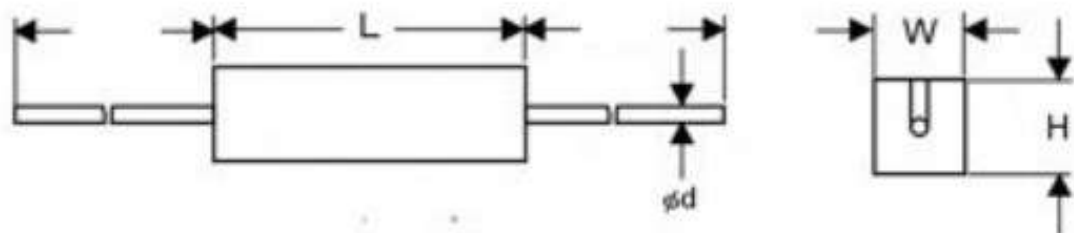


RX-27

I. Features

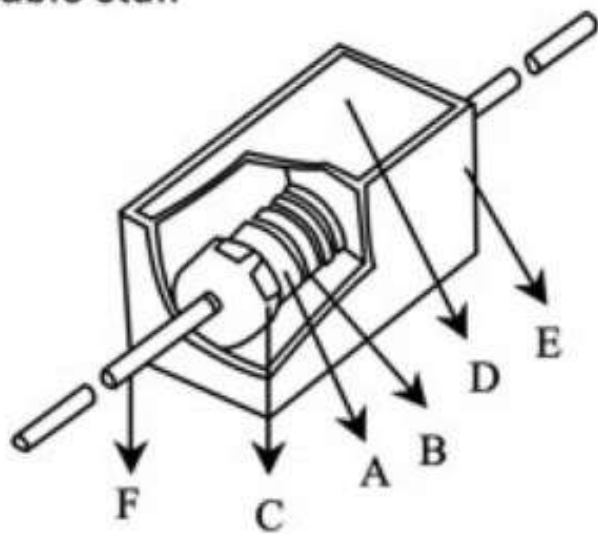
1. Good heat-durability, Low temperature coefficient, low noise, high load power, high insulating capacity, nonflammability.
2. Operating ambient temperature: $-55^{\circ}\text{C}\sim+275^{\circ}\text{C}$

II. Dimension and Structure



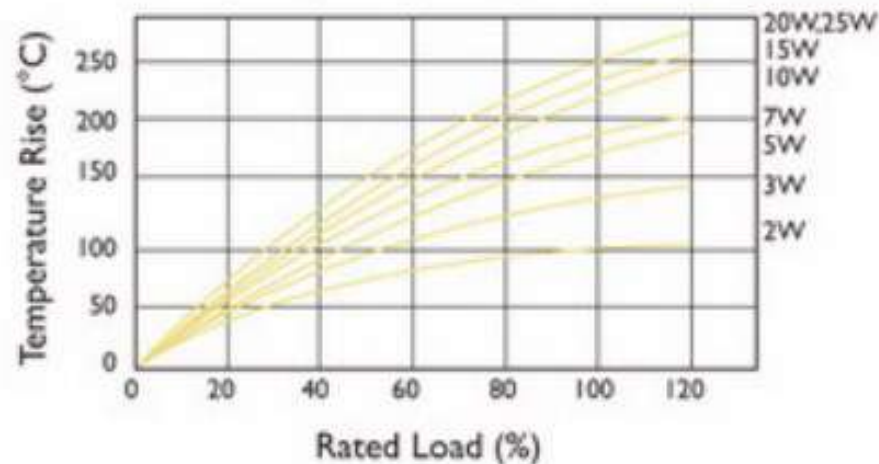
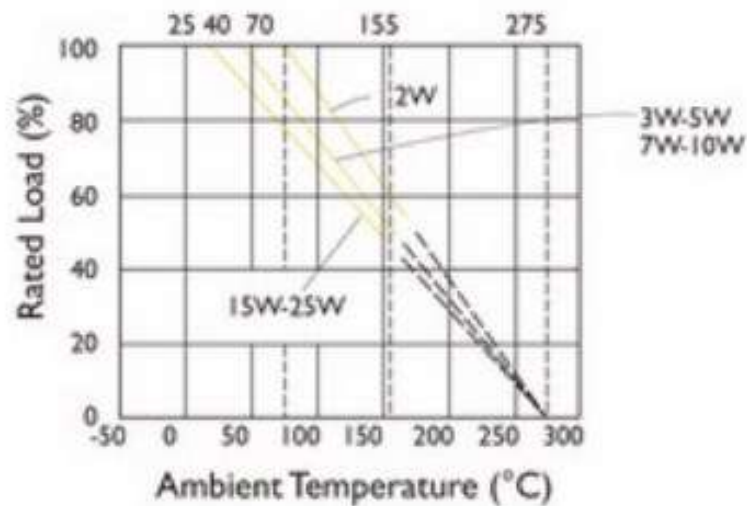
A:ceramic core
B:alloy lead
C:end cap
D:high stable stuff

E:ceramic shell
F:lead



Type	Dimension(mm)				Resistance Range	
	W±1	H±1	L±1	d±0.05	Wire-wound	Oxide rod
SQP1W	6	6	13	0.6	0.1Ω-300Ω	110Ω-100KΩ
SQP2W	7	7	18	0.6	0.1Ω-300Ω	110Ω-100KΩ
SQP3W	8	8	22	0.75	0.1Ω-300Ω	130Ω-100KΩ
SQP5W	10	9	22	0.75	0.1Ω-300Ω	200Ω-100KΩ
SQP7W	10	9	35	0.75	0.1Ω-300Ω	240Ω-100KΩ
SQP10W	10	9	48	0.75	0.1Ω-300Ω	300Ω-100KΩ
SQP15W	12.5	12.5	48	0.75	0.1Ω-300Ω	300Ω-100KΩ
SQP20W	13	13	64	0.75	0.1Ω-300Ω	300Ω-100KΩ
SQP25W	13	13	64	0.75	0.1Ω-300Ω	300Ω-100KΩ
SQP30W	19	20	76	0.8	1Ω-300Ω	300Ω-100KΩ
SQP40W	19	20	90	1.0	1Ω-300Ω	300Ω-100KΩ
SQP50W	20	20	90	1.0	1Ω-300Ω	300Ω-100KΩ
SQP100W	25	25	135	1.0	1Ω-300Ω	300Ω-100KΩ

III. Derating Curve and Surface Temperature Rise Curve



IV. Electrical Characteristics

Item	Performance requirement	Test methods
Temperature Coefficient:	Wire coiling: $-300\text{ppm}/^{\circ}\text{C} \leq a \leq +300\text{ppm}/^{\circ}\text{C}$ Oxide rod: $-350\text{ppm}/^{\circ}\text{C} \leq a \leq +350\text{ppm}/^{\circ}\text{C}$	JIS5202-5.2 -55°C to $+155^{\circ}\text{C}$ $T.C.R = (R_2 - R_1) \times 10^6 / R_1 \times (T_2 - T_1)$ (PPM/ $^{\circ}\text{C}$) R1: Resistance value at room temperature(T_1); R2: Resistance value at room temperature $+100^{\circ}\text{C}$ (T_2)
Short time overload:	$\Delta R \leq \pm(2\% R_0 + 0.1\Omega)$	JIS5202-5.5 2.5times RCWV for 5 seconds
Resistance to soldering heat:	$\Delta R \leq \pm(1\% R_0 + 0.05\Omega)$	JIS5202-6.4 $350^{\circ}\text{C} \pm 10^{\circ}\text{C}$ for 3 ± 0.5 seconds
Solderability:	The area of soldering is over 95%	JIS5202-6.5 235°C for 5 ± 0.5 seconds
Temperature cycling:	$\Delta R \leq \pm(5\% R_0 + 0.1\Omega)$	JIS5202-7.4 $\rightarrow 65^{\circ}\text{C} \rightarrow$ room temp. $\rightarrow 150^{\circ}\text{C} \rightarrow$ room temp. for 5 cycles
Load life in moisture:	$\Delta R \leq \pm(5\% R_0 + 0.1\Omega)$	JIS5202-7.9 $40 \pm 2^{\circ}\text{C}$, 90~95% RH at RCWV for 1000 hrs. (1.5 hrs. on, 0.5 hrs. off)
Nonflammability:	No visible flame	SJ3272-4.2