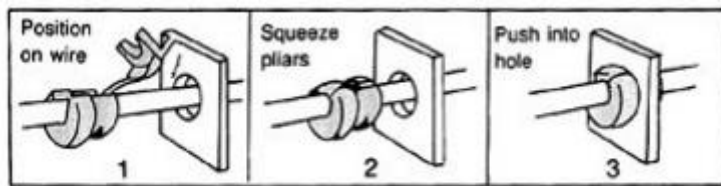
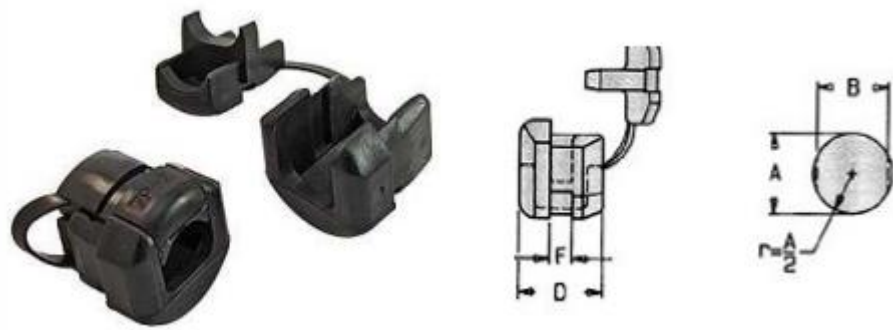


Кабельные вводы SR7N-2



	Item No.	Cross Section Shape	Approx. Wire Size mm	Mounting Holes		Max. Thickness F mm	Length D mm	Packing
				A mm	B mm			
SR Calmp	2P-4	Flat	3 X 5.6	9.5	8.7	1.6	10.3	1000PCS
	3P-4		3 X 5.6	11	9.9	1.6	10.3	
	3W-1		3 X 5.6	11	9.9	2.5	10.3	
	4N-4		3.71	12.7-13.1	11.8	1.6	10.3	
			3.8X7.6					
	4K-4		3.71	12.7-13.1	11.8	2.5	10.3	
		3.8X7.6						
	5N-4	Round	6.4Φ-7.6 Φ	12.7-13.1	11.5	1.6	11	500PCS
	5P-4		6.4Φ-7.6 Φ	12.7-13.1	11.5	2.5	11	
	6N-4		7.6 Φ	15.9	14	1.6	14.8	
	6P-4		7.6 Φ	15.9	14	3.2	14.8	
	6N3-4		8.2Φ-9.2 Φ	15.9	14	1.6	14.8	
	6P3-4		8.2Φ-9.2 Φ	15.9	14	3.2	14.8	
	7N-2	7N-2	9.2Φ-10.5Φ	19	16.8	1.6	19	100PCS
			11Φ	19.8				
	7P-2	7P-2	9.2Φ-10.5Φ	19	16.8	3.2	19	
11Φ			19.8					
8P-2	12Φ-15.2 Φ	22.2	21.3	3.2	20.8			
9R-1	11Φ-15.0 Φ	19.0	19.0	1.6	17.5			