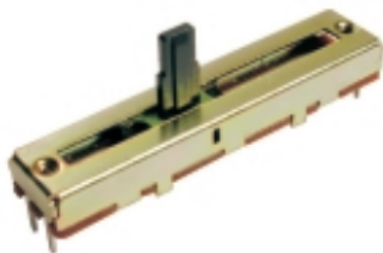
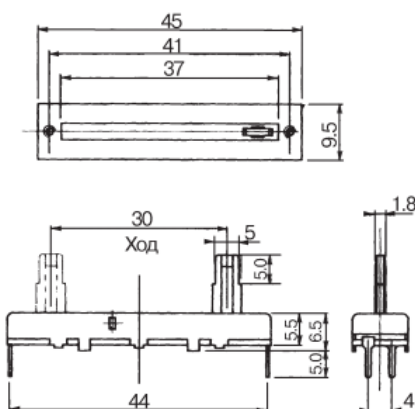


## Серия SL-30V1



- Углеродистые
- 500 Ом ~ 1 МОм
- Функциональная характеристика "А"
- 0,1 Вт
- 150 В
- Ход 30 мм
- Возможны различные типы движка



### Electrical Characteristics

<b>Total Resistance</b>	<b>5KΩ~2MΩ</b>				
<b>Total Resistance Tolerance</b>	<b>± 20% (more than 1MΩ± 30%)</b>				
<b>Resistance Taper</b>	<b>A. B. C. D. W. Taper</b>				
<b>Resistance Taper Characteristics</b>	<b>A50%</b>	<b>B50%</b>	<b>C50%</b>	<b>D50%</b>	<b>W50%</b>
	15-25%	40-60%	75-85%	2-15%	45-55%
<b>Rated Power</b>	<b>B Taper: AC200V 0.1 W; Other Tapers: AC150V 0.05 W</b>				
<b>Residual Resistance</b>	<b>R ≥ 250KΩ 0.1%</b> <b>250KΩ &gt; R &gt; 10KΩ 20Ω Max. ( between Term. 1, 2)</b> <b>10KΩ ≥ R 20Ω Max. ( between Term. 2, 3)</b>				
<b>Noise</b>	<b>100mV Max.</b>				
<b>Insulation Resistance</b>	<b>DC 250V 10MΩ</b>				
<b>Withstand Voltage</b>	<b>1 minute at AC 300V</b>				
<b>Sliding Life</b>	<b>15,000 Cycles</b>				

**Mechanical Characteristics**

<b>Overall Travel</b>	<b>30 mm ± 0.5 mm</b>
<b>Stopper Strength</b>	<b>5 kgf.cm max. / 3 sec.</b>
<b>Operating Force</b>	<b>0.2 ~ 2.0N (20~200gf.cm)</b>
<b>Lever Push-Pull Strength</b>	<b>3.0 kgf.cm max./10 sec.</b>
<b>Lever Wobble</b>	<b>2( 2*L)/20 mm max. (L:lever length both side)</b>
<b>Bending Moment</b>	<b>25mN.m (250gf.cm)</b>
<b>Click slip-out force</b>	<b>50gf.cm ~ 350gf.cm</b>
<b>Soldering Heat</b>	<b>300°C, 3s. (Only for Hand-Soldering)</b>
<b>Lever Deviation</b>	<b>0.5 max. ( one side)</b>