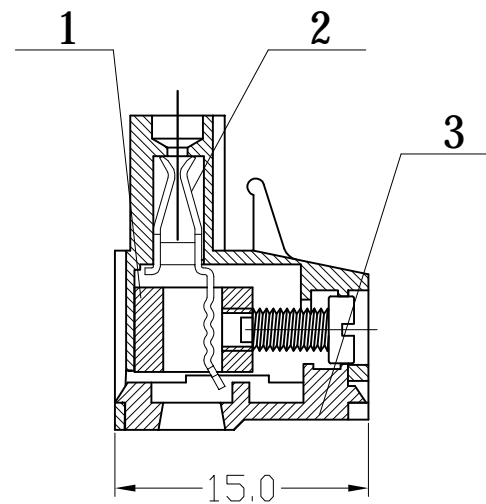
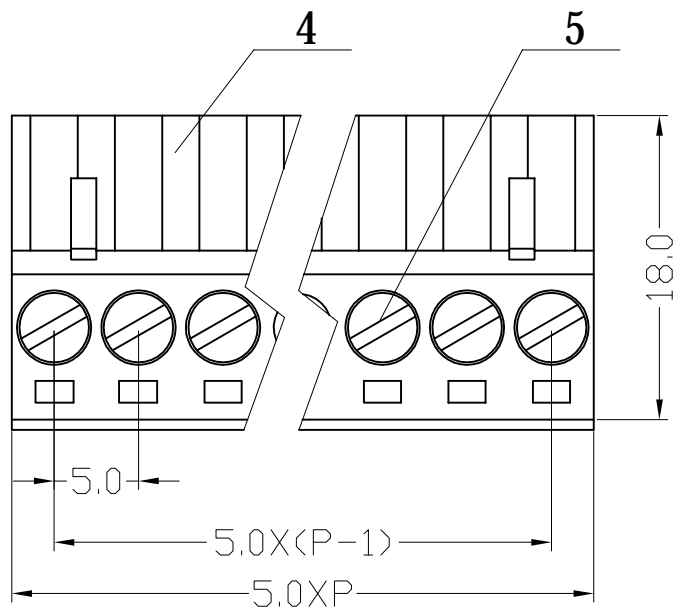


序号/RevNo.	名称/Title	文件编号/File No.
1	XY2500F铜方块	QJ/XYT-21281
2	XY2500F端子	QJ/XYT-21282
3	XY2500F-A塑件后塞	QJ/XYT-21280
4	XY2500F-A塑件	QJ/XYT-21279
5	XY2500F-A一字螺丝 (与X1103一字螺丝共用)	QJ/XYT-21003



Poles: Anly poles(2P-24P)

Pitch: 5.0mm

Voltage Rating: 300V

Current Rating: 12A

Wire range: 18-12AWG 2.5mm<sup>2</sup>

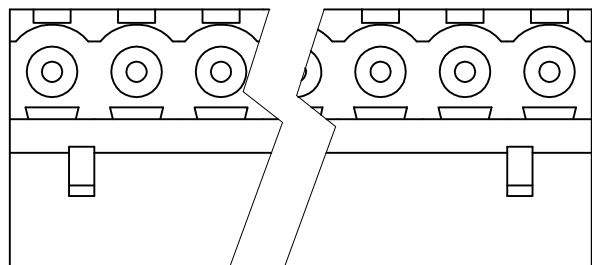
Housing: PA66(UL 94V-0)

Wire Cage: Brass, Nickel Plated

Clamp: Phosphor Bronze, Nickel Plated

Screw: M2.5, Steel (A3), Zinc Plated

Torque: 0.4N.m



设计/Designed by	绘图/Drawing by	审核/Checked by	批准/Approved by	未注公差 General Tolerance	
		图名/Title	文件编号/File No.	x. ±0.2	x." ±2"
		XY2500F-A	QJ/XYT-22114	.x ±0.1	.x" ±1"
		页序/Sheet		.xx ±0.05	.xx" ±0.5"
		备注/Remark		.xxx ±0.01	
				单位/Units: mm	