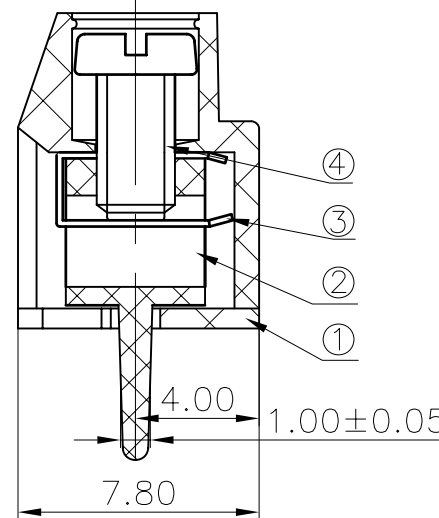
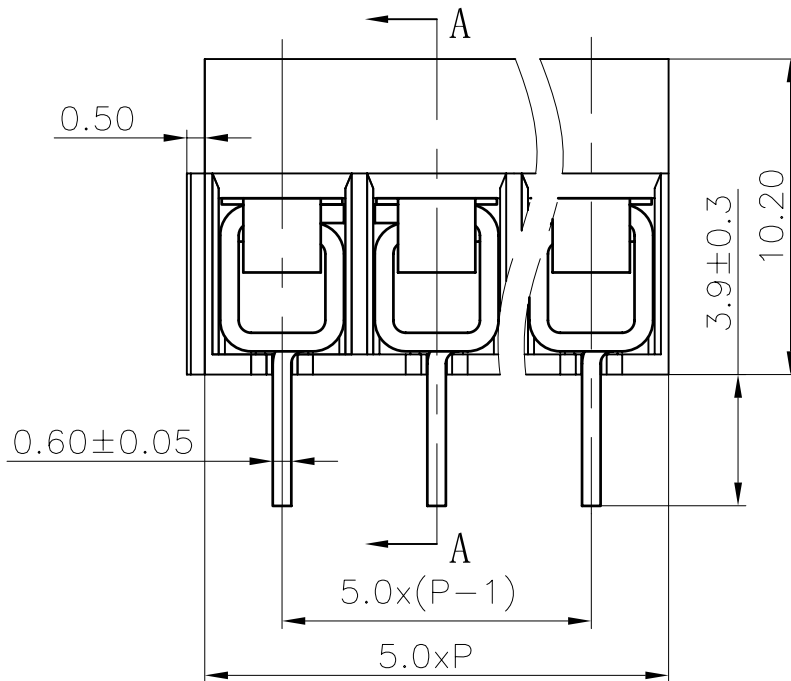
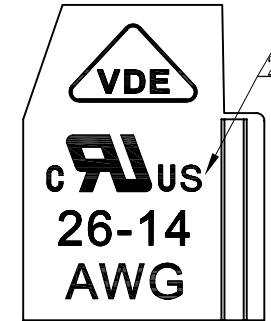
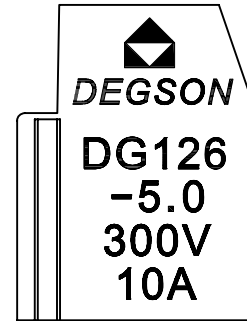
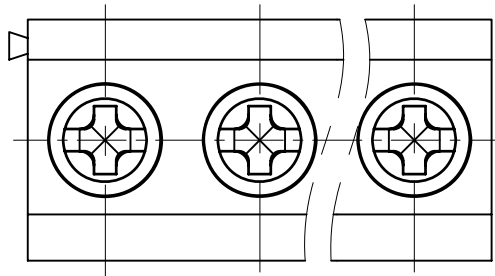


REVISION RECORD				
REV	ECO	DESCRIPTION	DRFT	DATE
△		Drawing Revise	Haoyh	03/18/06
△		增加U刻字	CSX	12/14/06



Notes:

1. Pitch:5.0mm
2. Rated current:10A
3. Rated voltage:300V
4. Operation temperatures:-40℃~+105℃
5. Withstanding Voltage:AC1500V/1min
6. Insulation Resistance:5000MΩ/DC1000V
7. Wire Range:26~14AWG, 1.5mm²
8. Max. Torque Value:4.08kgf.cm
9. Undimensioned Tolerances:

Pitch range in mm			Normal dimension range in mm					
to	over 6 to 10	over 10 to 24	to	over 6 to 30	over 30 to 90	over 90 to 200	over 200 to 480	∩
±0.10	±0.15	±0.25	±0.1	±0.2	±0.3	±0.5	±0.7	0.05/10

ITEM	NAME OF PART	NO. OF PART	Q'TY	MATERIAL	NOTES
4	DG126" Screws-M2.5	S000001510	XX	steel	Cr ³⁺ Zn
3	DG306 Spring	X000000160 (H)	XX	stainless steel	
2	DG306 Pin	4006B00020 (H)	XX	Brass	SnCe
1	DG126-5.0-Housing	4019A0YXXA (H)	1	PA66	UL94V-0

DETACHED LISTS	MM (INCH)	DFTO HA0YH	DATE 04/06/05	宁波高正电子有限公司 DEGSON ELECTRONICS CO., LTD	
	TOLERANCES EXCEPT AS NOTED	CHKD	DATE		
		MFO	DATE		
		APPVL	DATE		
	MM	±	MATERIAL :	NAME	
	.00 ±	±		DG126-5.0-XXP-1Y-00A(H)	
	.000 ±	±		DRAWING NO. DG126-5.0-E02	SIZE A3
	ANGLES ± 1'	G.E :		/PART NO.	REV T2 12/14/06
	THIRD ANGLE PROJECTION	FINISH :		SCALE : 1:1	DO NOT SCALE DRAWING
					SHEET 1 OF 1