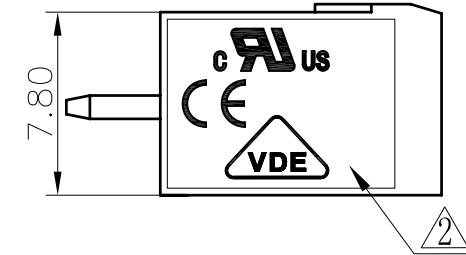
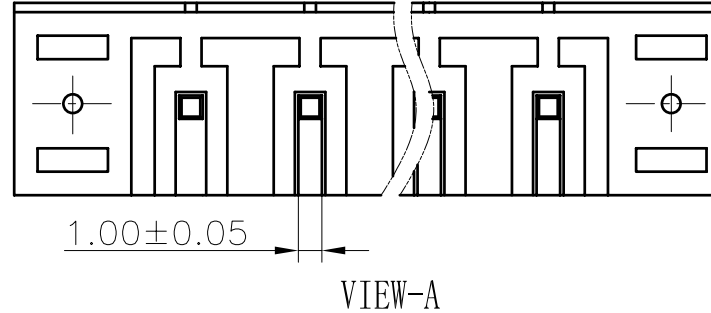
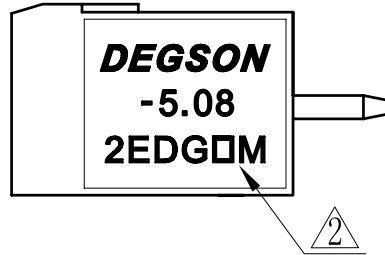
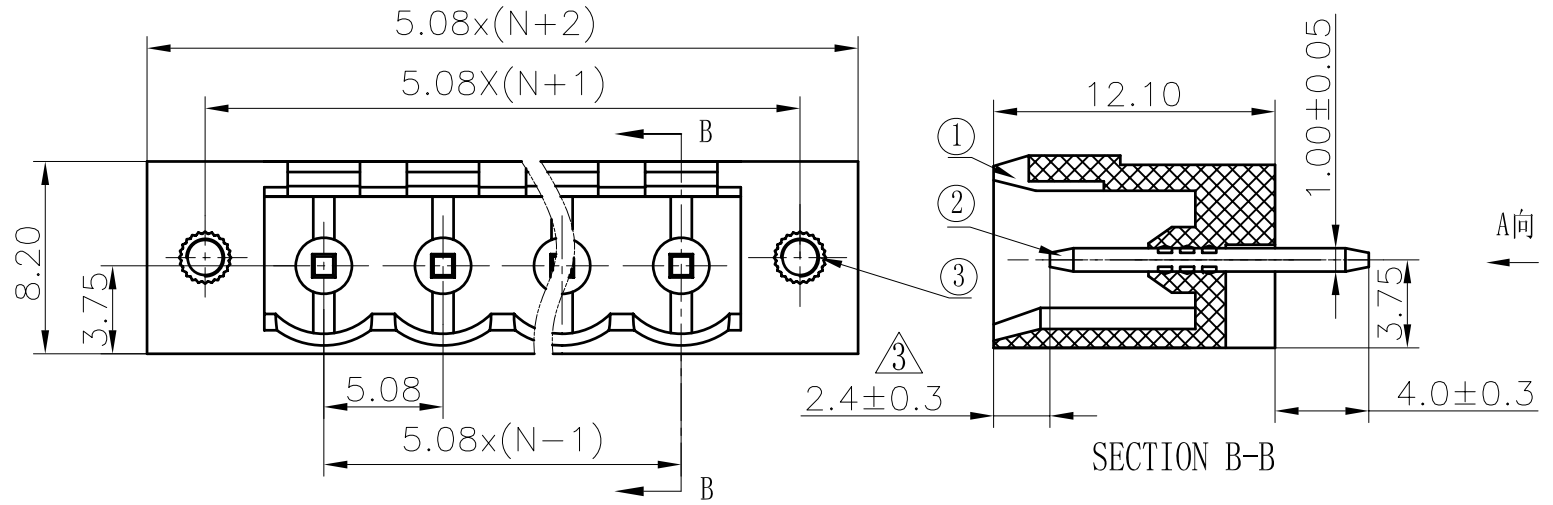


REVISION RECORD					
REV	ECO	DESCRIPTION	DRFT	DATE	
△		Drawing emend	WF	04/04/06*	
△		增加VDE, CE刻字	Zengy	07/29/08*	
△	10-0329	增加标注尺寸	COCO	10/07/10*	



Notes:

1. Pitch:5.08mm ,Poles:2-24P
2. Rated voltage/current:UL 300V/15A  
VDE 320V/20A
3. Operation temperatures:-40℃~+105℃
4. Withstanding Voltage:AC1500V/1Min
5. Insulation Resistance:5000MΩ/DC1000V
6. Undimensioned Tolerances:

Pitch range in mm		Nominal dimension range in mm						
to	over	to	over	to	over	to	over	
6	10	10	30	30	60	60	100	150
10	24	30	60	100	150			
±0.10	±0.15	±0.25	±0.2	±0.3	±0.5	±0.7	±1.0	0.05/10

ITEM	NAME OF PART	NO. OF PART	Q"TY	MATERIAL	NOTES
1	2EDGVM-5.08-Housing	1012A0YXXA (H)	1	PA66	UL94V-0

MM (INCH)	DFTO WF	DATE 11/21/05*
TOLERANCES EXCEPT AS NOTED	CHKD	DATE
	MFO	DATE
	APPVL	DATE
MM	MATERIAL :	
.0 ±	±	
.00 ±	±	
.000 ±	±	
ANGLES ± 1°	G.E :	
THIRD ANGLE PROJECTION	FINISH :	
SCALE : 1:1		DO NOT SCALE DRAWING

NAME		DEGSON® 宁波高正电子有限公司 DEGSON ELECTRONICS CO., LTD	
2EDGVM-5.08-XXP-1Y-00A(H)			
DRAWING NO. 2EDGVM-5.08-E03		SIZE A3	REV T3
/PART NO.		10/07/10*	
SHEET 1		OF 1	

3	2EDG-Screw cap	S000000040 (H)	2	Brass	
2	2EDGV-Pin header	1007B00030 (H)	XX	Brass	SnCe