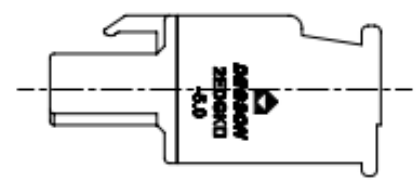
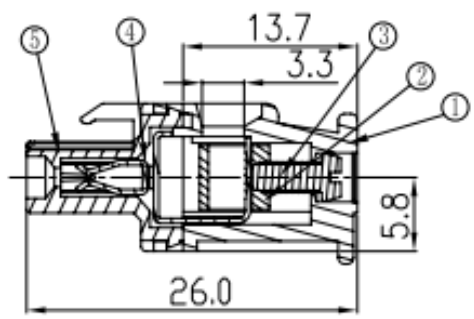
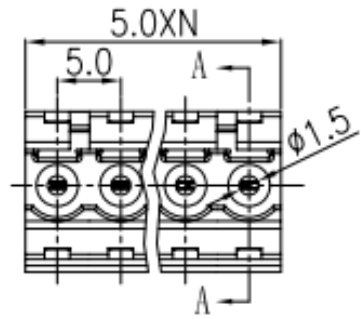
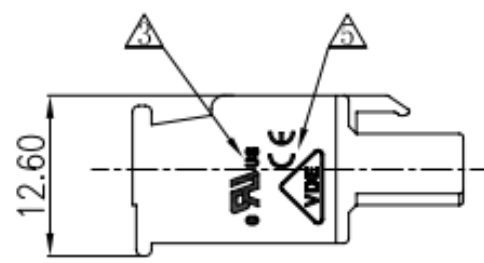
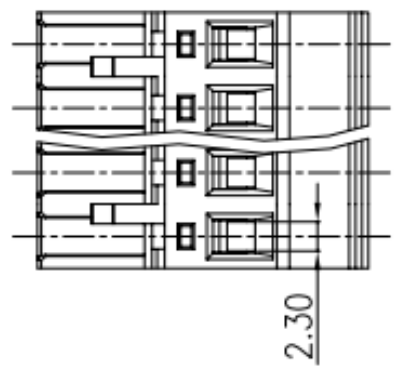
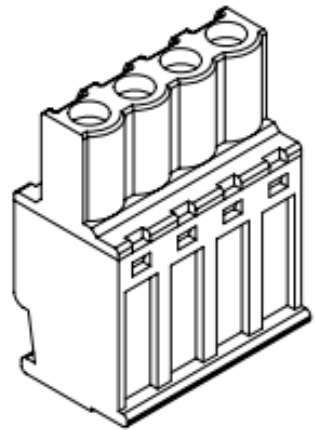


REVISION RECORD					
REV	ECO	DESCRIPTION	DRFT	DATE	
△		图面更新	CSX	04/18/06	
△		工程变更	CSX	11/30/06	
△		增加UL刻字	CSX	03/12/07	
△		品名、料号增加规格标注“00”	LJH	02/11/07	
△		增加VDE、CE刻字	WLM	02/10/07	



Section A-A

- Notes:
- Pitch:5.0mm ,Poles:2-24P
 - Rated voltage/current:UL 300V/15A
VDE 320V/10A
 - Operation temperatures:-45℃~+105℃
 - Withstanding Voltage:AC2000V/1Min
 - Insulation Resistance:5000Ω/DC1000V
 - Wire Range:28~12AWG, 2.5mm²
 - Max. Torque Value:M2.5, 4.08kgf. cm
 - Undimensioned Tolerances:

Pitch range in mm		Nominal dimension range in mm						
	over 6 to 10	over 10 to 24	over 24 to 30	over 30 to 60	over 60 to 100	over 100 to 150	over 150	
±0.10	±0.15	±0.25	±0.2	±0.3	±0.5	±0.7	±1.0	

5	2EDGKA/B-5.0 COVER	1030COYXXA(H)	1	PA66	UL94V-0
4	2EDGKA/B-CLAMP	1028B00010(H)	XX	Phosor Bronze	Ni plated
3	2EDG SCREW-M2.5	S000000980(H)△	XX	Steel	Cr ³⁺ Zn
2	DG128 CAGE	X000000020(H)	XX	Brass	Ni plated
1	2EDGKA/B-5.0 HOUSING	1030AOYXXA(H)	1	PA66	UL94V-0
ITEM	NAME OF PART	NO. OF PART	Q'TY	MATERIAL	NOTES

← MM (INCH) → TOLERANCES EXCEPT AS NOTED .3 MM ± .00 ± .000 ±	DFTD W/P CHKD MFO APPV. DATE	DATE 04/22/04 DATE DATE	 宁波高正电子有限公司 DEGSON ELECTRONICS CO., LTD
NAME 2EDGKA-5.0-XXP-1Y-00A(H)			DRAWING NO. 2EDGKA-5.0-E01 /PART NO.
ANGLES ± 1' THIRD ANGLE PROJECTION			
G.E : FINISH : SCALE :			DO NOT SCALE DRAWING SHEET 1 OF 1