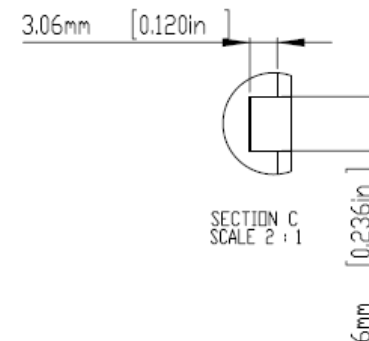
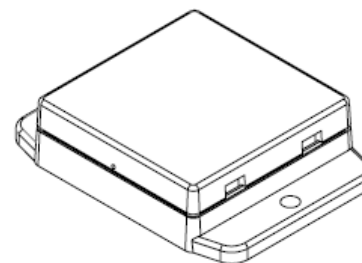
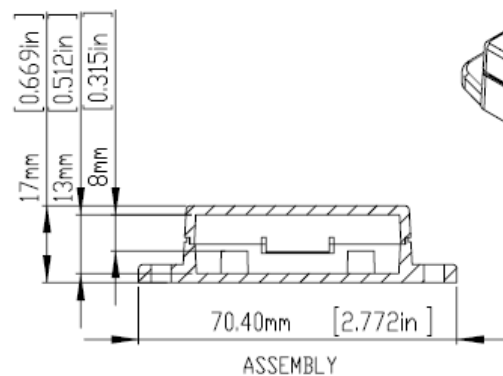
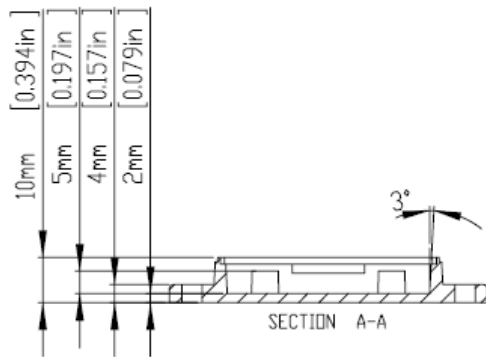
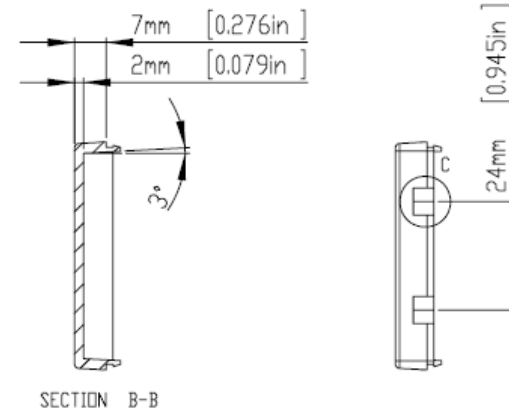
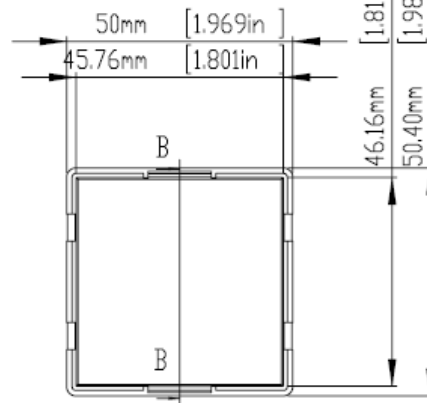


HOLE(4) ARE DESIGNED FOR M2.6X6mm  
SELF-TAPPING SCREWS USE.  
WALL MOUNTING HOLES(2) X DIA.4.5mm  
FOR PAN HEAD(M4) TAPPING SCREWS USE.



According to ISO 2768-m	
Measuring DIM=L	Tolerances
0.5<L<=3.0mm	±0.1mm
3.0<L<=6.0 mm	±0.1mm
6.0<L<=30.0 mm	±0.2mm
30.0<L<=120.0 mm	±0.3mm
120.0<L<=400.0 mm	±0.5mm
400.0<L<=1000.0 mm	±0.8mm

宜又實業有限公司 GAINTA INDUSTRIES LTD.	繪圖	DRA'D BY	日期	DATE	材質	MATE.	圖名	TITLE:	圖號	DWG NO:	版次	REVISID:	A 4TOP
	JACKY	2013/10/01	ABS	NUB505017		A							

ITEM	DESCRIPTION	MATERIAL	COLOR	PANTONE COLOR CODE	CLOSE TO RAL CODE
1	NUB505017BK	ABS(UL94-HB)	BLACK	PANTONE BLACK U	RAL 9005
2	NUB505017WH	ABS(UL94-HB)	WHITE	PANTONE 420C	RAL 9002
3	NUB505017OR	ABS(UL94-HB)	ORANGE	PANTONE 165C	RAL 2004
4	NUB505017RD	ABS(UL94-HB)	RED	PANTONE 186C	RAL 3027

宜又實業有限公司 GAINTA INDUSTRIES LTD.	繪圖	DRA'D BY	日期	DATE	材質	MATE.	圖名TITLE:	圖號DWG NO:	版次REVISID:
		JACKY		2013/10/01		ABS	NUB505017		A

AK  
470