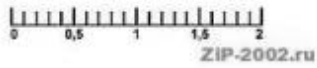
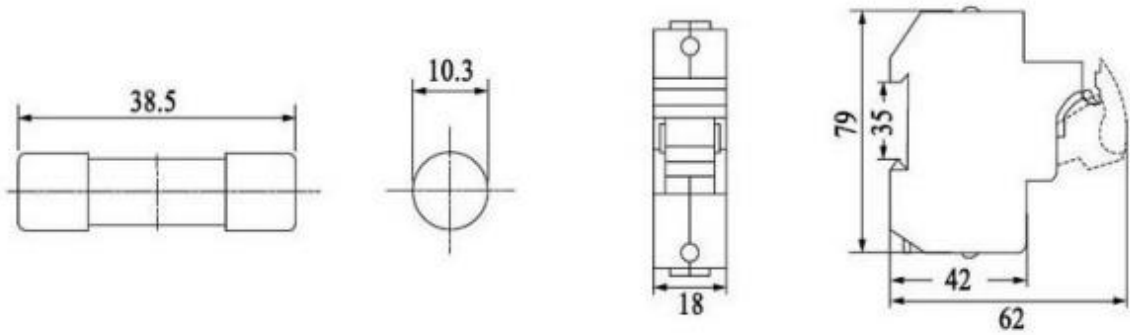


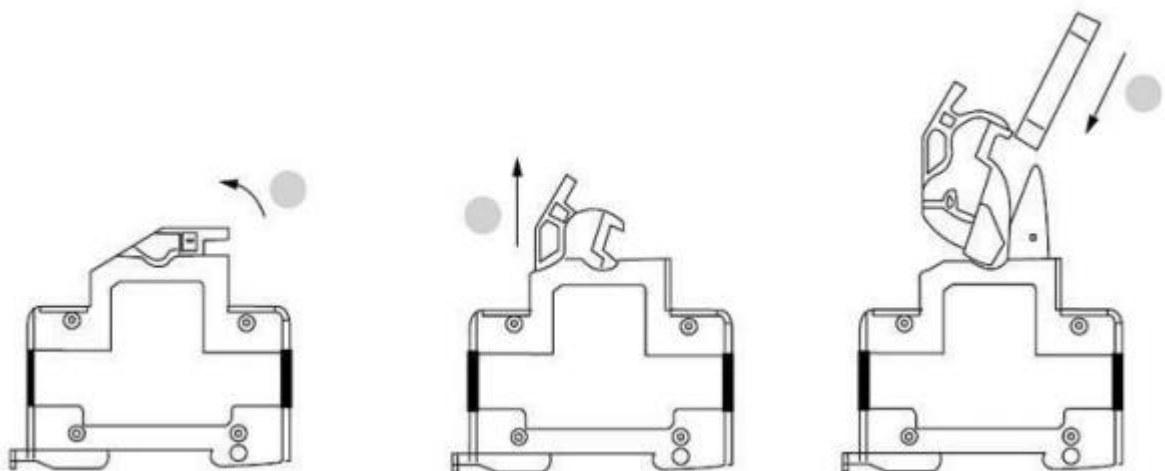
10A 500V 10x38mm



DIMENSION



INSTALLATION



dc fuse Application:

A range of 10x38mm fuse links specifically designed for protectin photovoltaic strings. These fuse links are capable of interrupting low overcurrents associated with faulted photovoltaic string arrays (reverse current, multi-array fault).

| Item | dc fuse | |
|---------------------------|----------------------------------------------|-------------|
| Code | Предохранитель 10A 10x38mm | |
| Name | FUSE | FUSE HOLDER |
| Pole | 1P | 1P |
| Voltage | ≤1000VDC | |
| Current | 1A,2A,3A,4A,5A,6A,8A,10A,12A,15A,20A,25A,32A | |
| Biggest block ability(KA) | 33KA | |
| Standard | IEC/EN60269 | |
| Commection(mm) | 2.5-10 | |
| Power consumption(W) | 3.5 | |
| Working Temperature | "-5°"to +40° | |
| Protection Degree | IP20 | |
| Dimension(W)X(H)X(D) | 10X38 | 18X60X78 |
| Installation | 35MM DIN RAIL | |
| Installation Altitude | ≤2000M | |