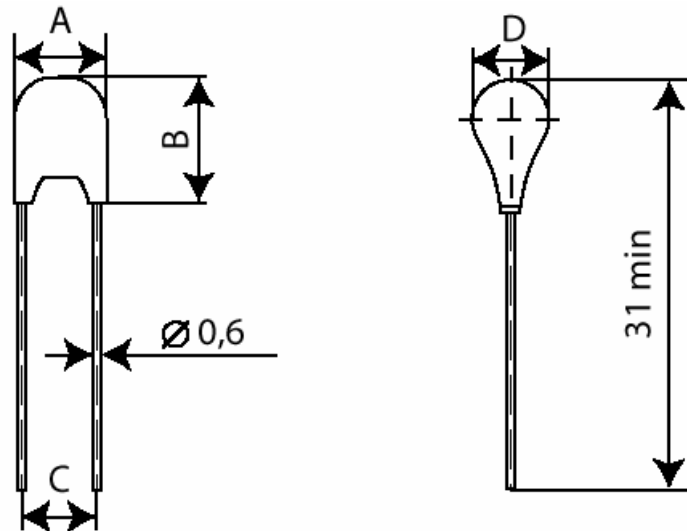


## ПОСТОЯННАЯ КАТУШКА ИНДУКТИВНОСТИ ГЕРМЕТИЗИРОВАННАЯ (КИГ)

Постоянная катушка индуктивности герметизированная предназначена для работы в радиотехнических устройствах.



Масса катушки не более 3,5 г

Основные электрические параметры

| Индуктивность<br>мкГн | Добротность Q                         |                              | Сопротивление<br>постоянному<br>току,<br>не более, Ом | Сила<br>тока,<br>не более,<br>А | Габаритные размеры, мм |     |     |
|-----------------------|---------------------------------------|------------------------------|---|---------------------------------|------------------------|-----|-----|
|                       | Относительное<br>значение<br>не менее | Частота<br>измерения,<br>МГц |   |                                 | A                      | B   | D   |
| 1                     | 2                                     | 3                            | 4   | 5                               | 6                      | 7   | 8   |
| 1,0 ± 10%             | 25                                    | 7,96                         | 0,5   | 0,1                             | 7,0                    | 9,8 | 6,0 |
| 1,0 ± 10%             | 25                                    | 7,96                         | 0,4   | 1,2                             | 7,0                    | 9,8 | 6,0 |
| 1,2 ± 10%             | 40                                    | 7,00                         | 0,5   | 0,1                             | 7,0                    | 9,8 | 6,0 |
| 1,8 ± 10%             | 40                                    | 5,00                         | 0,5   | 0,1                             | 7,0                    | 9,8 | 6,0 |
| 2,0 ± 10%             | 25                                    | 7,00                         | 0,5   | 1,2                             | 7,0                    | 9,8 | 6,0 |
| 2,2 ± 10%             | 40                                    | 5,00                         | 0,5   | 0,1                             | 7,0                    | 9,8 | 6,0 |
| 2,7 ± 10%             | 40                                    | 5,00                         | 0,5   | 0,1                             | 7,0                    | 9,8 | 6,0 |
| 3,3 ± 10%             | 40                                    | 7,00                         | 0,5   | 0,1                             | 7,0                    | 9,8 | 6,0 |
| 3,9 ± 10%             | 40                                    | 4,00                         | 0,5   | 0,1                             | 7,0                    | 9,8 | 6,0 |
| 4,7 ± 10%             | 40                                    | 4,00                         | 0,5   | 0,1                             | 7,0                    | 9,8 | 6,0 |
| 5,1 ± 10%             | 40                                    | 4,00                         | 0,5   | 0,1                             | 7,0                    | 9,8 | 6,0 |
| 6,8 ± 10%             | 40                                    | 3,00                         | 0,5   | 0,1                             | 7,0                    | 9,8 | 6,0 |
| 6,8 ± 10%             | 40                                    | 3,00                         | 0,5   | 0,2                             | 7,0                    | 9,8 | 6,0 |
| 8,0 ± 10%             | 30                                    | 5,00                         | 0,6   | 0,1                             | 7,0                    | 9,8 | 6,0 |
| 8,0 ± 10%             | 40                                    | 3,00                         | 0,5   | 0,1                             | 7,0                    | 9,8 | 6,0 |
| 8,2 ± 10%             | 40                                    | 3,00                         | 0,5   | 0,1                             | 7,0                    | 9,8 | 6,0 |
| 10 ± 10%              | 40                                    | 7,00                         | 0,5   | 0,1                             | 7,0                    | 9,8 | 6,0 |
| 10 ± 10%              | 30                                    | 5,00                         | 0,5   | 0,2                             | 7,0                    | 9,8 | 6,0 |
| 10 ± 10%              | 25                                    | 5,00                         | 0,5   | 0,6                             | 7,0                    | 9,8 | 6,0 |
| 12 ± 10%              | 30                                    | 3,00                         | 0,5   | 0,1                             | 7,0                    | 9,8 | 6,0 |
| 12 ± 10%              | 25                                    | 3,00                         | 0,5   | 0,6                             | 7,0                    | 9,8 | 6,0 |
| 15 ± 10%              | 40                                    | 3,00                         | 1,0   | 0,2                             | 7,0                    | 9,8 | 6,0 |
| 18 ± 10%              | 40                                    | 4,00                         | 1,0   | 0,1                             | 7,0                    | 9,8 | 6,0 |
| 20 ± 10%              | 40                                    | 3,00                         | 1,0   | 0,1                             | 7,0                    | 9,8 | 6,0 |
| 22 ± 10%              | 40                                    | 3,00                         | 1,0   | 0,1                             | 7,0                    | 9,8 | 6,0 |
| 22 ± 10%              | 40                                    | 2,00                         | 1,0   | 0,2                             | 7,0                    | 9,8 | 6,0 |
| 24 ± 10%              | 40                                    | 2,00                         | 1,0   | 0,2                             | 7,0                    | 9,8 | 6,0 |

| 1          | 2  | 3    | 4    | 5   | 6    | 7    | 8   |
|------------|----|------|------|-----|------|------|-----|
| 25 ± 10%   | 40 | 2,00 | 1,0  | 0,2 | 7,0  | 9,8  | 6,0 |
| 27 ± 10%   | 40 | 3,00 | 1,0  | 0,1 | 7,0  | 9,8  | 6,0 |
| 30 ± 10%   | 40 | 3,00 | 1,0  | 0,2 | 7,0  | 9,8  | 6,0 |
| 33 ± 10%   | 40 | 3,00 | 1,0  | 0,1 | 7,0  | 9,8  | 6,0 |
| 36 ± 10%   | 40 | 3,00 | 1,0  | 0,1 | 7,0  | 9,8  | 6,0 |
| 40 ± 10%   | 40 | 2,00 | 1,0  | 0,2 | 7,0  | 9,8  | 6,0 |
| 43 ± 10%   | 40 | 3,00 | 1,0  | 0,1 | 7,0  | 9,8  | 6,0 |
| 47 ± 10%   | 40 | 3,00 | 1,0  | 0,1 | 7,0  | 9,8  | 6,0 |
| 47 ± 10%   | 30 | 3,00 | 2,0  | 0,2 | 7,0  | 9,8  | 6,0 |
| 50 ± 10%   | 40 | 3,00 | 2,0  | 0,2 | 7,0  | 9,8  | 6,0 |
| 50 ± 10%   | 40 | 3,00 | 2,3  | 0,1 | 7,0  | 9,8  | 6,0 |
| 56 ± 10%   | 40 | 3,00 | 3,0  | 0,1 | 7,0  | 9,8  | 6,0 |
| 60 ± 10%   | 20 | 3,00 | 2,0  | 0,2 | 7,0  | 9,8  | 6,0 |
| 68 ± 10%   | 40 | 3,00 | 3,0  | 0,1 | 7,0  | 9,8  | 6,0 |
| 82 ± 10%   | 40 | 2,00 | 3,0  | 0,1 | 7,0  | 9,8  | 6,0 |
| 100 ± 10%  | 30 | 2,00 | 5,0  | 0,1 | 7,0  | 9,8  | 6,0 |
| 120 ± 10%  | 30 | 2,00 | 5,0  | 0,1 | 7,0  | 9,8  | 6,0 |
| 125 ± 10%  | 30 | 2,00 | 5,0  | 0,1 | 7,0  | 9,8  | 6,0 |
| 140 ± 10%  | 25 | 2,00 | 5,0  | 0,1 | 7,0  | 9,8  | 6,0 |
| 150 ± 10%  | 25 | 2,00 | 5,0  | 0,1 | 7,0  | 9,8  | 6,0 |
| 180 ± 10%  | 25 | 2,00 | 7,0  | 0,1 | 7,0  | 9,8  | 6,0 |
| 200 ± 10%  | 30 | 1,30 | 7,0  | 0,1 | 7,0  | 9,8  | 6,0 |
| 250 ± 10%  | 30 | 1,30 | 7,0  | 0,1 | 7,0  | 9,8  | 6,0 |
| 360 ± 10%  | 30 | 1,30 | 7,0  | 0,1 | 7,0  | 9,8  | 6,0 |
| 390 ± 10%  | 40 | 0,52 | 11,0 | 0,1 | 7,0  | 9,8  | 6,0 |
| 400 ± 10%  |    |      | 11,0 | 0,1 | 7,0  | 9,8  | 6,0 |
| 450 ± 10%  |    |      | 11,0 | 0,1 | 7,0  | 9,8  | 6,0 |
| 470 ± 10%  |    |      | 11,0 | 0,1 | 7,0  | 9,8  | 6,0 |
| 500 ± 10%  |    |      | 8,4  | 0,1 | 7,0  | 9,8  | 6,0 |
| 220 ± 10%  | 40 | 0,52 | 7,0  | 0,1 | 8,7  | 11,0 | 6,5 |
| 1000 ± 10% | 40 | 0,56 | 11,0 | 0,1 | 9,5  | 11,5 | 7,0 |
| 1,0 ± 10%  | 25 | 7,96 | 0,5  | 3,0 | 11,0 | 12,0 | 7,5 |
| 2,0 ± 10%  | 20 | 5,00 | 0,5  | 3,0 | 11,0 | 12,0 | 7,5 |
| 4,0 ± 10%  | 25 | 5,00 | 0,5  | 2,4 | 11,0 | 12,0 | 7,5 |
| 5,0 ± 10%  | 40 | 5,00 | 0,6  | 3,0 | 11,0 | 12,0 | 7,5 |
| 6,0 ± 10%  | 25 | 5,00 | 0,8  | 1,2 | 11,0 | 12,0 | 7,5 |
| 8,0 ± 10%  | 30 | 3,00 | 0,8  | 1,2 | 11,0 | 12,0 | 7,5 |
| 8,0 ± 10%  | 20 | 3,00 | 0,6  | 2,4 | 11,0 | 12,0 | 7,5 |
| 10 ± 10%   | 30 | 5,00 | 0,8  | 1,2 | 11,0 | 12,0 | 7,5 |
| 10 ± 10%   | 25 | 3,00 | 0,6  | 3,0 | 11,0 | 12,0 | 7,5 |
| 20 ± 10%   | 30 | 2,00 | 1,5  | 0,4 | 11,0 | 12,0 | 7,5 |
| 20 ± 10%   | 25 | 2,00 | 1,5  | 1,5 | 11,0 | 12,0 | 7,5 |
| 30 ± 10%   | 40 | 2,00 | 1,5  | 1,2 | 11,0 | 12,0 | 7,5 |
| 60 ± 10%   | 40 | 2,00 | 0,8  | 0,6 | 11,0 | 12,0 | 7,5 |
| 100 ± 10%  | 40 | 2,00 | 1,5  | 0,4 | 11,0 | 12,0 | 7,5 |
| 2200 ± 10% | 40 | 0,24 | 36,0 | 0,1 | 11,0 | 12,0 | 7,5 |
| 6800 ± 10% | 40 | 0,10 | 36,0 | 0,1 | 11,0 | 12,0 | 7,5 |

1. Рабочая частота от 0,06 МГц до 200 МГц.
2. Граничная пониженная температура среды минус 60° С, граничная повышенная температура среды плюс 60° С.
3. Возможно изготовление катушек индуктивности с допуском ±5%, ±20%.
4. Расстояние С между выводами катушек индуктивности обеспечивается потребителем в процессе формовки выводов.