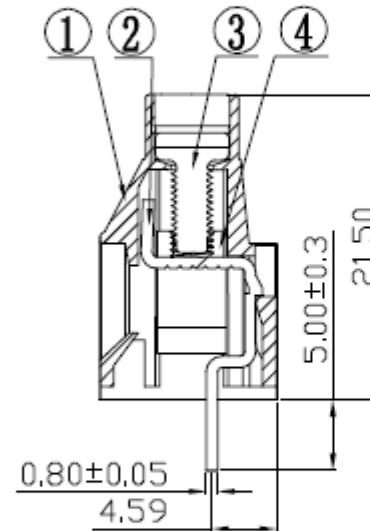
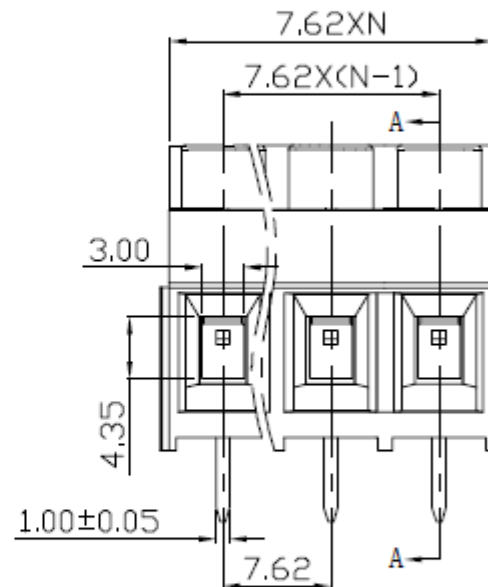
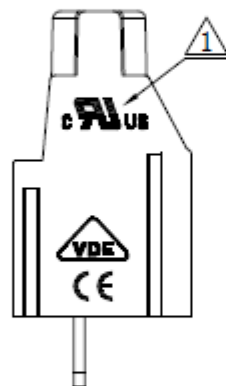
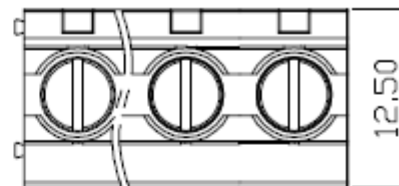


REVISION RECORD				
REV	ECN	DESCRIPTION	DFT	DATE
△	10-0249	增加UL刻字	Ti. Zeng	02/05/10

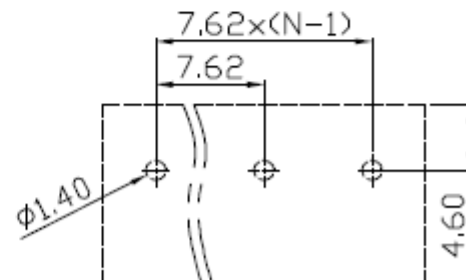
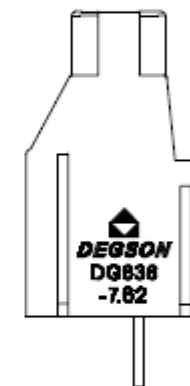
Notes:

1. Pitch: 7.62mm , Poles: 2-XXP
2. Rated voltage/current: UL 300V/30A  
VDE 630V/32A
3. Operation temperatures: -40℃ ~ +105℃
4. Withstanding Voltage: AC2500V/1Min
5. Insulation Resistance: 5000MΩ/DC1000V
6. Wire Range: 26AWG, 0.2~4.0mm<sup>2</sup>
7. Max. Torque Value: M3, 5.1kgf.cm
8. Undimensioned Tolerances:

Pitch range in mm		Nominal dimension range in mm					
to 6	over 6 to 10	over 10 to 24	to 30	over 30 to 60	over 60 to 100	over 100 to 150	○
±0.10	±0.15	±0.25	±0.2	±0.3	±0.5	±0.7	□



SECTION A-A



4	DG950-Brass cage	X000000310 (H)	XX	Brass	Ni plated
3	DG636 Screws	S000001590 (H)	XX	Steel	C <sub>26</sub> Zn

2	DG636-Pin header	4044B00010 (H)	XX	Brass	SnCe																								
1	DG636-7.62 Housing	4149A0YXXA (H)	1	PA66	UL94V-0																								
ITEM	NAME OF PART	NO. OF PART	Q'TY	MATERIAL	NOTES																								
<table border="1"> <tr> <td>MM</td> <td>INCH</td> <td>DFT</td> <td>IN</td> <td>DATE</td> <td>02/14/09</td> </tr> <tr> <td>±</td> <td></td> <td>CHD</td> <td></td> <td>DATE</td> <td></td> </tr> <tr> <td>±</td> <td></td> <td>MFD</td> <td></td> <td>DATE</td> <td></td> </tr> <tr> <td>±</td> <td></td> <td>APPL</td> <td></td> <td>DATE</td> <td></td> </tr> </table>		MM	INCH	DFT	IN	DATE	02/14/09	±		CHD		DATE		±		MFD		DATE		±		APPL		DATE		宁波高正电子有限公司 DEGSON ELECTRONICS CO., LTD			
MM	INCH	DFT	IN	DATE	02/14/09																								
±		CHD		DATE																									
±		MFD		DATE																									
±		APPL		DATE																									
NAME DG636-7.62-XXP-1Y-00A(H)																													
DRAWING NO. DG636-7.62-E01				SUE	REV																								
/PART NO.				A4	T1																								
DO NOT SCALE DRAWING				SHEET 1	OF 1																								