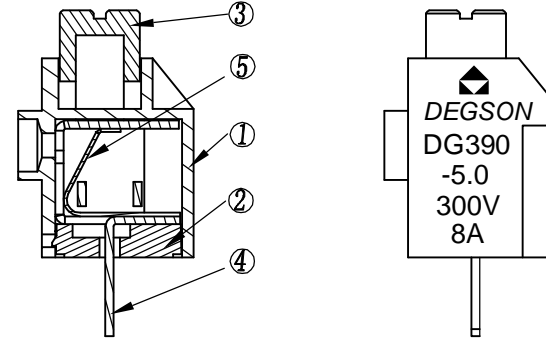
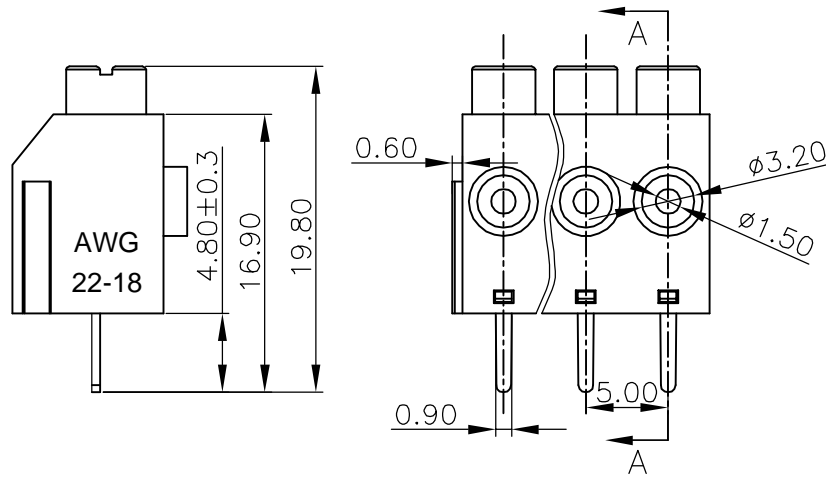
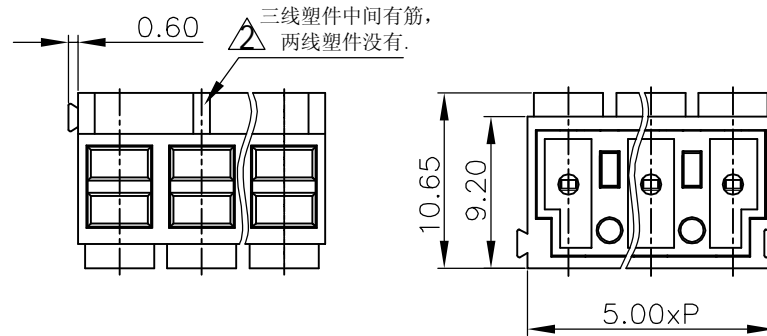


REVISION RECORD				
REV	ECO	DESCRIPTION	DRFT	DATE
△		料号由3006D0Y01A 变更为3006D05010.	CSX	12/15/05''
△		增加区分两线三线的标注	CSX	03/16/06''
△		料号由3006D05010 变更为3006D0501A.	CSX	12/21/06''



SECTION A-A



Notes:

1. Pitch:5.0MM;
2. Rated current:8A;
3. Rated voltage:300V;
4. Operation temperatures:-30° C~+120° C;
5. Withstanding Voltage:AC1500V/1min;
6. Insulation resistance:5000MΩ/1000V;
7. Wire range:22-18AWG, 1.0mm<sup>2</sup>;
8. Undimensioned Tolerances:

Pitch range in mm			Normal dimension range in mm					
	over 6 to 10	over 10 to 24	to 6	to 30	to 90	to 200	to 480	□
±0.10	±0.15	±0.25	±0.1	±0.2	±0.3	±0.5	±0.7	0.05/10

5	DG390-5.0-Clamp	X00000800 (H)	XX	Stainless	Steel
4	DG390-5.0-Pin header	3006B00010 (H)	XX	Brass	Snce
3	DG390-5.0-Button	3006D0501A (H)	△	PC	UL94V-2

2	DG390 Cover	3006C0YXXA (H)	1	PBT	UL94V-0
1	DG390 Housing	3006A0YXXA (H)	1	PBT	UL94V-0
ITEM	NAME OF PART	NO. OF PART	Q'TY	MATERIAL	NOTES
DETAILED LISTS		MM (INCH)	DFTO DZJ	DATE 11/09/05''	宁波高正电子有限公司 DEGSON ELECTRONICS CO., LTD NAME: DG390-5.0-XXP-1Y-00A(H)
TOLERANCES EXCEPT AS NOTED		CHKD	DATE	DRAWING NO. DG390-5.0-E04 /PART NO. SIZE A3 REV T3 12/21/06''	
MM		MFO	DATE		
.0 ±		APPVL	DATE		
.00 ±		MATERIAL :		DO NOT SCALE DRAWING	
.000 ±		ANGLES ± 1'			SHEET 1 OF 1
THIRD ANGLE PROJECTION		FINISH :			
		SCALE :			