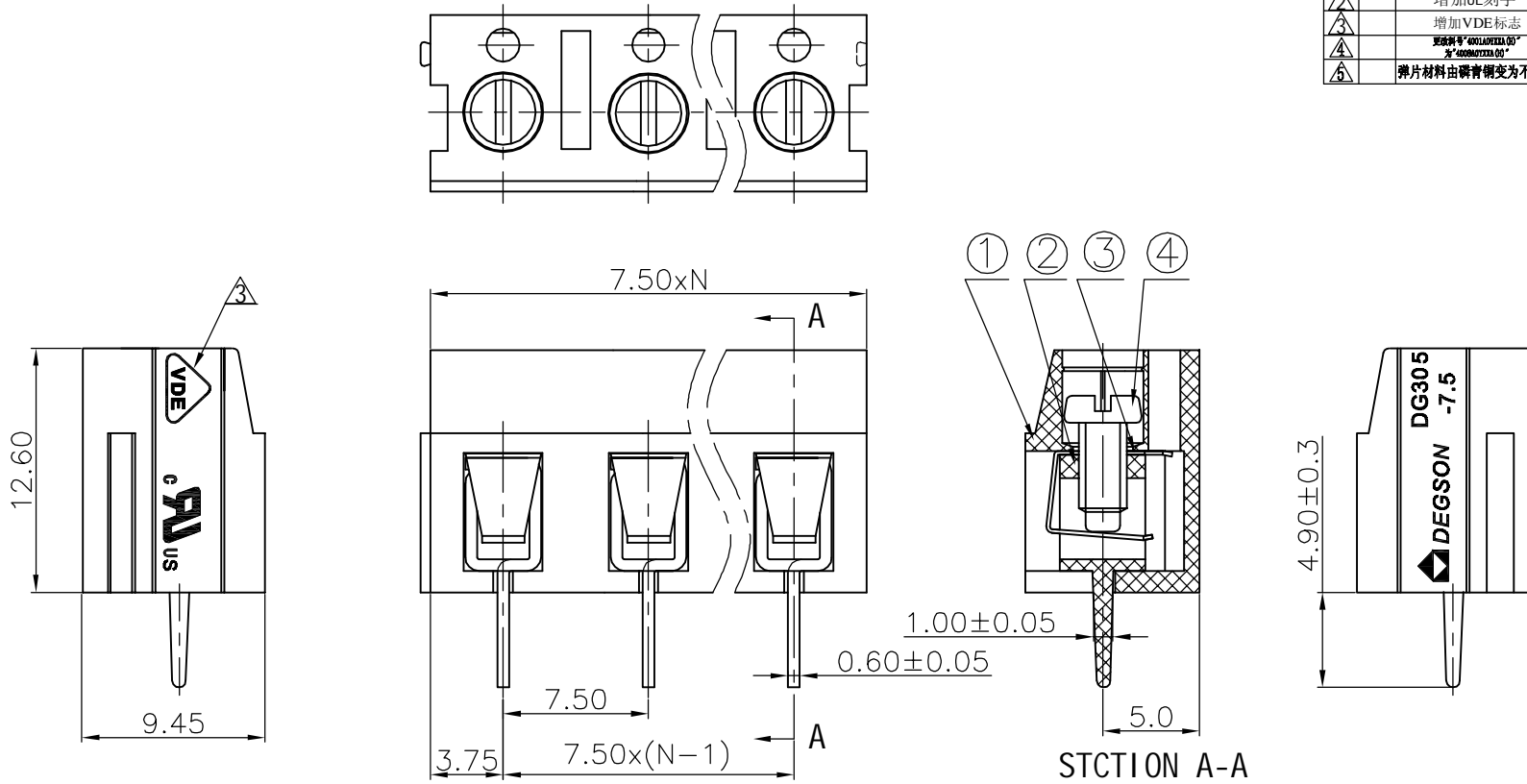


REVISION RECORD				
REV	ECO	DESCRIPTION	DRFT	DATE
△		Drawing Revise	Haoyh	03/28/06
△		增加UL刻字	CSX	06/18/07
△		增加VDE标志	LJH	12/24/07
△		规格号由"02000010"变为"00000010"	LJH	07/03/08
△		弹片材料由磷青铜变为不锈钢	YHG	07/07/09



Notes:

1. Pitch: 7.5mm, Poles: 2-XXP
2. Rated voltage/current: UL 300V/15A  
VDE 250V/20A
3. Operation temperatures: -30°C ~ +120°C
4. Withstanding Voltage: AC2000V/1Min
5. Insulation Resistance: 5000MΩ/DC1000V
6. Wire Range: 12~18AWG, 2.5mm<sup>2</sup>
7. Max. Torque Value: M2.5, 4.08kgf.cm
8. Undimensioned Tolerances:

Pitch range in mm		Nominal dimension range in mm						
to	over	over 6	over 10	over 30	over 60	over 100	over 150	
6	10	10	24	30	60	100	150	∩
±0.10	±0.15	±0.25	±0.2	±0.3	±0.5	±0.7	±1.0	0.05/10

ITEM	NAME OF PART	NO. OF PART	Q'TY	MATERIAL	NOTES
4	DG305-Screws	S000001620 (H)	XX	Steel	Cr <sup>3+</sup> Zn
3	DG305-Spring	X000000260 (H)	XX	Stainless steel	
2	DG305-Pin header	4003B00010 (H)	XX	Brass	SnCe
1	DG305-7.5-Housing	△4008A0YXXA (H)	1	PBT	UL94V-0

DETAILED LISTS	MM (INCH)	DFTO Haoyh	DATE 02/01/05
		CHKD	DATE
	TOLERANCES EXCEPT AS NOTED	MFO	DATE
		APPVL	DATE
	MM	MATERIAL :	
	.0 ±		
	.00 ±		
	.000 ±		
	ANGLES ± 1°	G.E :	
	THIRD ANGLE PROJECTION	FINISH :	
		SCALE : 1:1	

<b>DEGSON</b> <sup>®</sup>		宁波高正电子有限公司 DEGSON ELECTRONICS CO., LTD	
NAME DG305-7.5-XXP-1Y-00A(H)			
DRAWING NO. DG305-7.5-E02		SIZE A3	REV T5
/PART NO.		07/03/08	
DO NOT SCALE DRAWING		SHEET 1	OF 1