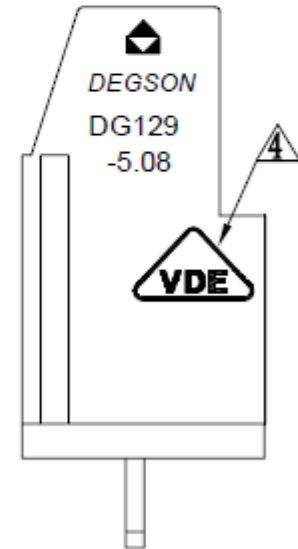
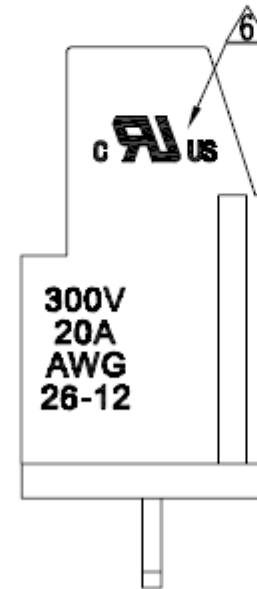
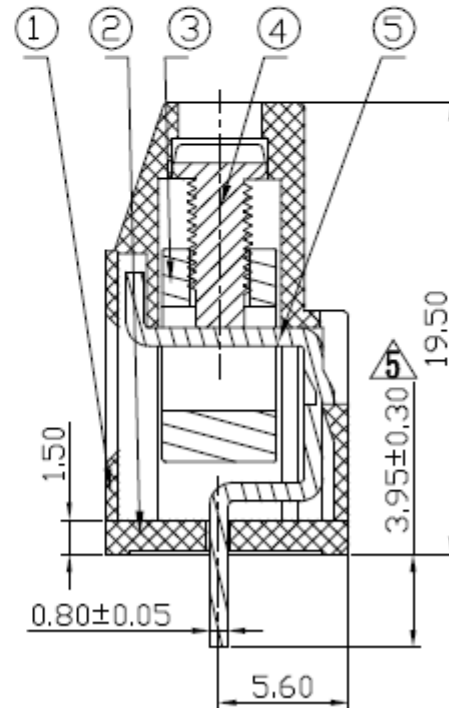
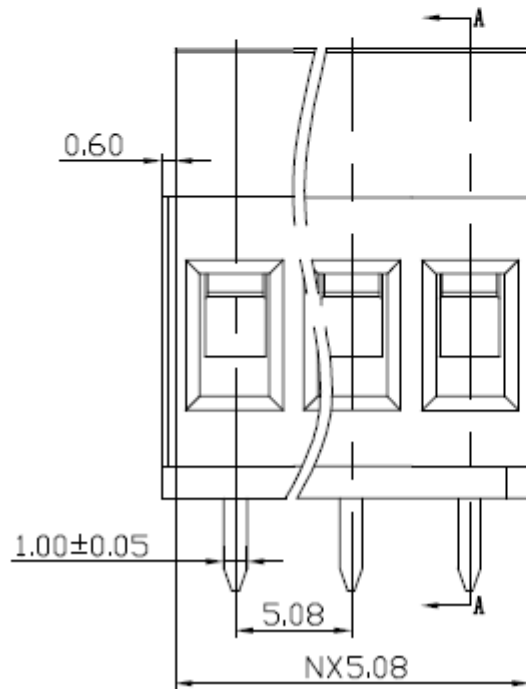
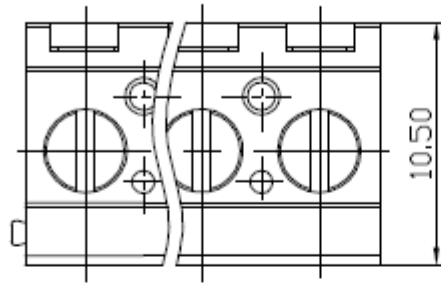


REVISION RECORD				
REV	ECD	DESCRIPTION	DRFT	DATE
△		Drawing Revise	Haoh	03/30/06
△		增加印刷刻字	CSX	01/12/07
△		比原由3.95改为3.95±0.30	CSX	02/03/07
△		比原图中去掉小孔	CSX	08/09/07

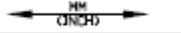

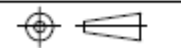
Notes:

1. Pitch: 5.08mm
2. Rated voltage: 300V
3. Rated current: 20A
4. Insulation resistance: 5000MΩ/DC1000V
5. Withstanding voltage: AC2000V/1Min
6. Wire range: 26-12AWG 2.5mm²
7. Temp, Range: -40℃~+105℃
8. Torque: 5.1kgf.cm
9. Undimensioned Tolerances:

Pitch range in mm		Normal dimension range in mm						
to 6	over 6 to 10	over 10 to 24	over 6 to 6	over 6 to 30	over 30 to 90	over 90 to 200	over 200 to 480	∩ □
±0.10	±0.15	±0.25	±0.1	±0.2	±0.3	±0.5	±0.7	0.05/0.10



SECTION A-A

1	DG129-5.08-Housing	4042A0YXXA (H)	1	PA66	UL94V-0								
ITEM	NAME OF PART	NO. OF PART	Q'TY	MATERIAL	NOTES								
ATTACHED LISTS			IFTD DZJ	DATE 10/03/05*	 宁波高正电子有限公司 DEGSON ELECTRONICS CO., LTD								
	TOLERANCES EXCEPT AS NOTED		CHKD	DATE									
			MFD	DATE									
	<table border="1"> <tr> <td>MM</td> <td>±</td> </tr> <tr> <td>.0 ±</td> <td>±</td> </tr> <tr> <td>.00 ±</td> <td>±</td> </tr> <tr> <td>.000 ±</td> <td>±</td> </tr> </table>		MM	±	.0 ±	±	.00 ±	±	.000 ±	±	APPVL	DATE	NAME
	MM	±											
	.0 ±	±											
	.00 ±	±											
	.000 ±	±											
			MATERIAL :		DG129-5.08-XXP-1Y-00A(H)								
	ANGLES ± 1°		G.E :		DRAWING NO. DG129-5.08-E02	SIZE							
		FINISH:		/PART NO.	A3								
THIRD ANGLE PROJECTION		SCALE : 1:1		DO NOT SCALE DRAWING	REV T6 08/29/07								
			SHEET 1		OF 1								

5	DG129-Pin header	4029B00010 (H)	XX	Barss	SnCe
4	DG129-Screws-M3	S000001430 (H)	XX	Steel	Cr Zn
3	DG129-Cage	X000000200 (H)	XX	Brass	Ni plated
2	DG129-5.08-Cover	4042C0YXXA (H)	1	PA66	UL94V-0