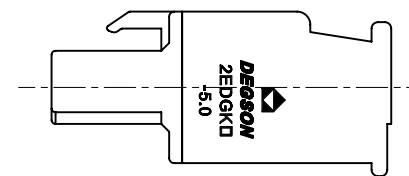
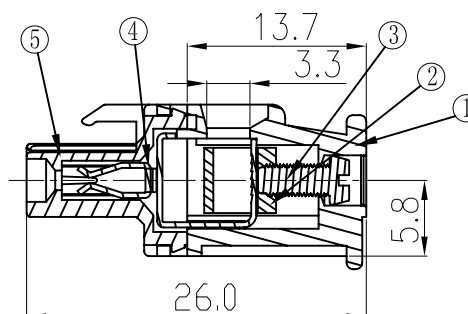
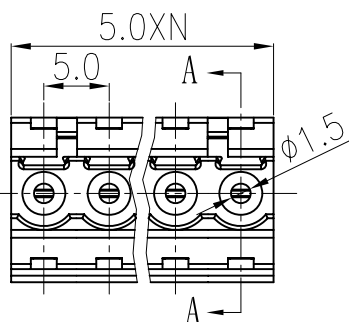
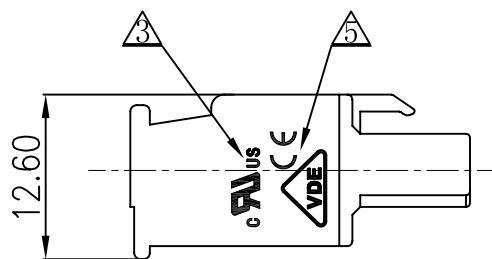
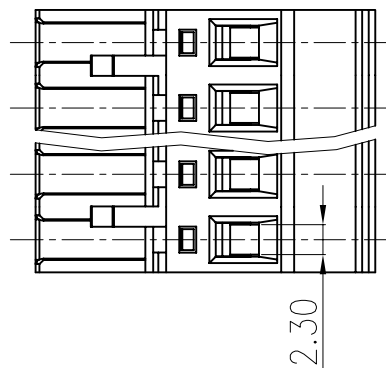
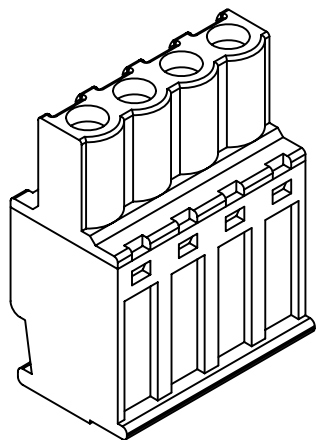


REVISION RECORD				
REV	ECO	DESCRIPTION	DRFT	DATE
△		图面更新	CSX	04/18/06*
△		工程变更	CSX	11/30/06*
△		增加UL刻字	CSX	03/12/07*
△		品名、料号增加环保标示“00”	LJH	12/11/07*
△		增加VDE、CE刻字	WLM	02/10/09*



Section A-A

Notes:

- Pitch: 5.0mm, Poles: 2-24P
- Rated voltage/current: UL 300V/15A  
VDE 320V/10A
- Operation temperatures: -45°C ~ +105°C
- Withstanding Voltage: AC2000V/1Min
- Insulation Resistance: 5000 Ω / DC1000V
- Wire Range: 28~12AWG, 2.5mm<sup>2</sup>
- Max. Torque Value: M2.5, 4.08kgf.cm
- Undimensioned Tolerances:

Pitch range in mm		Nominal dimension range in mm						—	
to	over	to	over	to	over	to	over		
6	10	10	30	30	60	60	100	150	∩
6	10	24	30	60	100	150			□
±0.10	±0.15	±0.25	±0.2	±0.3	±0.5	±0.7	±1.0	0.05/0.10	

5	2EDGKA/B-5.0 COVER	1030C0YXXA (H)	1	PA66	UL94V-0
4	2EDGKA/B-CLAMP	1028B00010 (H)	XX	Phospor Bronze	Ni plated
3	2EDG SCREW-M2.5	S000000980 (H)△	XX	Steel	Cr <sup>3+</sup> Zn
2	DG128 CAGE	X000000020 (H)	XX	Brass	Ni plated
1	2EDGKA/B-5.0 HOUSING	1030A0YXXA (H)	1	PA66	UL94V-0
ITEM	NAME OF PART	NO. OF PART	Q'TY	MATERIAL	NOTES

DETACHED LISTS	MM (INCH)	DFTO WYP	DATE 04/22/04"
	TOLERANCES EXCEPT AS NOTED	CHKD	DATE
		MFO	DATE
		APPLV	DATE
MM	±	MATERIAL :	
.0 ±	±	G.E :	
.00 ±	±	FINISH :	
.000 ±	±	SCALE :	
ANGLES ± 1°		DO NOT SCALE DRAWING	
THIRD ANGLE PROJECTION		SHEET 1 OF 1	

**DEGSON** 宁波高正电子有限公司  
DEGSON ELECTRONICS CO., LTD

NAME: 2EDGKA-5.0-XXP-1Y-00A(H)

DRAWING NO. 2EDGKA-5.0-E01 SIZE A3 REV T5 02/10/09\*

/PART NO.