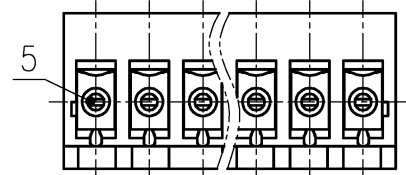
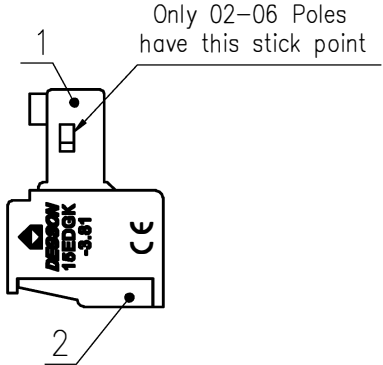
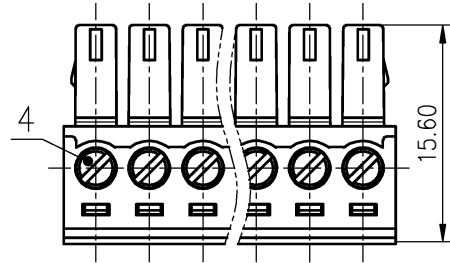
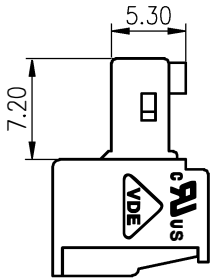


| 未注公差/General tolerances(mm) | | | | | | | | | | | | | | |
|-----------------------------|-------|-------|-------|-------|-------|-------|-------|-------|-------|-------|-------|-------|-------|---------------|
| 0 | >3 | >6 | >10 | >18 | >30 | >50 | >80 | >120 | >180 | >250 | >315 | >400 | >500 | 0.1/10 ±2' |
| ~3 | ~6 | ~10 | ~18 | ~30 | ~50 | ~80 | ~120 | ~180 | ~250 | ~315 | ~400 | ~500 | ~2.50 | |
| ±0.12 | ±0.18 | ±0.22 | ±0.26 | ±0.31 | ±0.37 | ±0.57 | ±0.80 | ±0.93 | ±1.05 | ±1.15 | ±1.60 | ±2.20 | ±2.50 | |

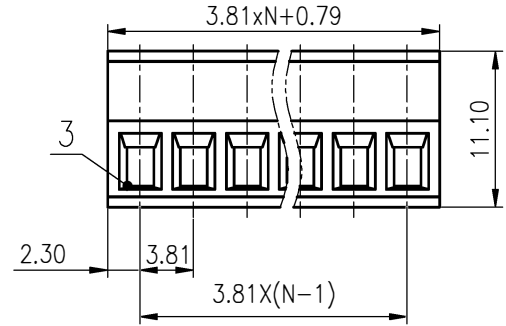
A



B



C



D

| ITEM | NAME OF PART | MATERIAL | NOTES |
|------|--------------|--------------|--------------|
| 5 | Clamp | Copper Alloy | Sn Plated |
| 4 | Screw | Steel | M2/Zn Plated |
| 3 | Cage | Copper Alloy | M2/Ni Plated |
| 2 | Cover | PA66 | UL94V-0 |
| 1 | Housing | PA66 | UL94V-0 |

| UL 标准/UL Standard: | | B | C | D |
|--|--|---------------|---|-------|
| 额定电压/电压/Rated Voltage(V)/Current(A) | | 300/8 | / | 300/8 |
| IEC 标准/IEC Standard: | | | | |
| 过压类别/Overvoltage Category/污染等级/Pollution Degree | | II/2 | | |
| 额定电压/电压/Rated Voltage(V)/Current(A) | | 250/7 | | |
| 额定脉冲电压(kV)/Rate Impulse Voltage(kV) | | 2.5 | | |
| 螺丝扭矩/Torque Tightening(N·m/Lb.in) | | M2, 0.2/1.77 | | |
| 线径范围(硬线和软线)/Wire Range(rigid and flexible)(mm ² /AWG) | | 0.5~1.5/28~16 | | |
| 间距/Pitch(mm)/线数范围/Poles | | 3.81/N=02~24P | | |
| 剥线长度/Stripping length(mm) | | 6~7 | | |
| 使用温度范围/Operating temperature(°C) | | -40~+105 | | |
| 符合RoHS环保要求/Conform to RoHS | | Yes | | |

| | | | |
|-------------------------|---|------------------------|----------------------|
| MATERIAL: / | SURFACE: / | | |
| MAT NO.: / | 宁波高松电子有限公司 NINGBO DEGSON ELECTRICAL CO., LTD | | |
| STATUS: / | | | |
| APPD: LanChH 2020.05.30 | NAME: 15EDGK-3.81-XXP-1Y-00A(H) | | |
| CHKD: YuJZh 2020.05.30 | DRAWING NO.: 10002217 | | |
| DRFT: BaYH 2020.05.30 | REV: TO | | TO |
| ⊕ ⊖ | SIZE: A4 | TYPE: CUSTOMER DRAWING | SCALE: 2:1 SHEET 1/1 |

| REV | ECN | DESCRIPTION | DRFT | DATE |
|-----|-----|-------------|------|------|
| | | | | |