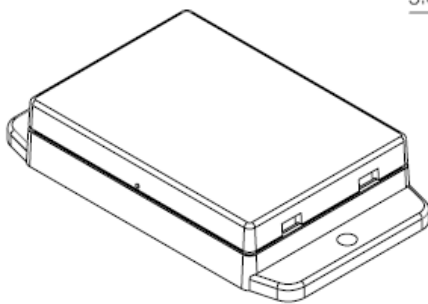
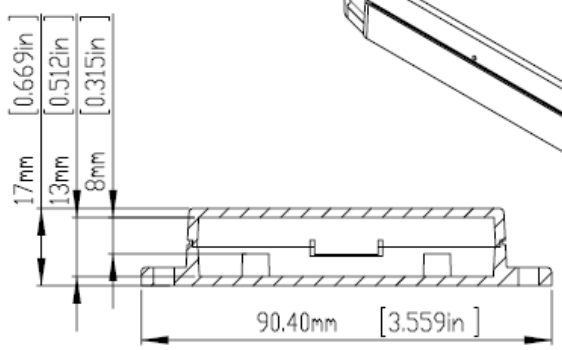
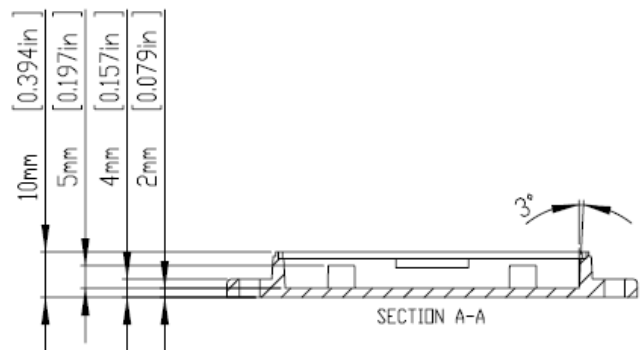
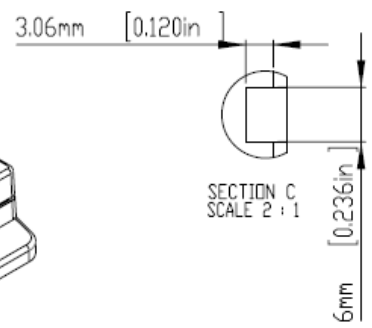
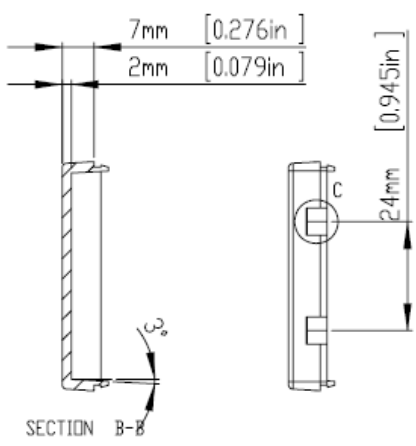


HOLE(S)4 ARE DESIGNED FOR M2.6X6mm SELF-TAPPING SCREWS USE.
 WALL MOUNTING HOLES(2) X DIA.4.5mm FOR PAN HEAD(M4) TAPPING SCREWS USE.



According to ISO 2768-m

Measuring DIM=L	Tolerances
0.5<L<=3.0mm	±0.1mm
3.0<L<=6.0 mm	±0.1mm
6.0<L<=30.0 mm	±0.2mm
30.0<L<=120.0 mm	±0.3mm
120.0<L<=400.0 mm	±0.5mm
400.0<L<=1000.0 mm	±0.8mm

宣又實業有限公司 GAINTA INDUSTRIES LTD.	繪圖	DRA'D BY	日期	DATE	材質	MATE.	圖名TITLE:	圖號DWG NO:	版次REVISID:
		JACKY	2013/10/01		ABS		NUB705017		A

ITEM	DESCRIPTION	MATERIAL	COLOR	PANTONE COLOR CORD	CLOSE TO RAL CORD
1	NUB705017BK	ABS<UL94-HB>	BLACK	PANTONE BLACK U	RAL 9005
2	NUB705017WH	ABS<UL94-HB>	WHITE	PANTONE 420C	RAL 9002
3	NUB705017OR	ABS<UL94-HB>	ORANGE	PANTONE 165C	RAL 2004
4	NUB705017RD	ABS<UL94-HB>	RED	PANTONE 186C	RAL 3027

宜又實業有限公司 GAINTA INDUSTRIES LTD.	繪圖	DRA'D BY	日期	DATE	材質	MATE.	圖名TITLE:	圖號DWG NO:	版次REVISID:	A 4/01
	JACKY	2013/10/01	ABS	NUB705017		A				