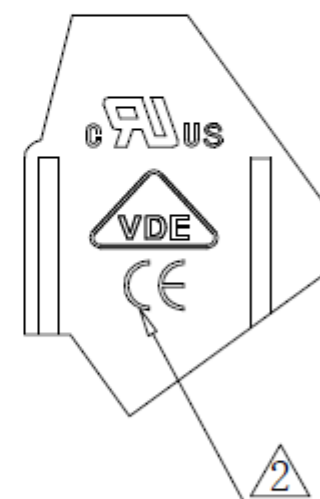
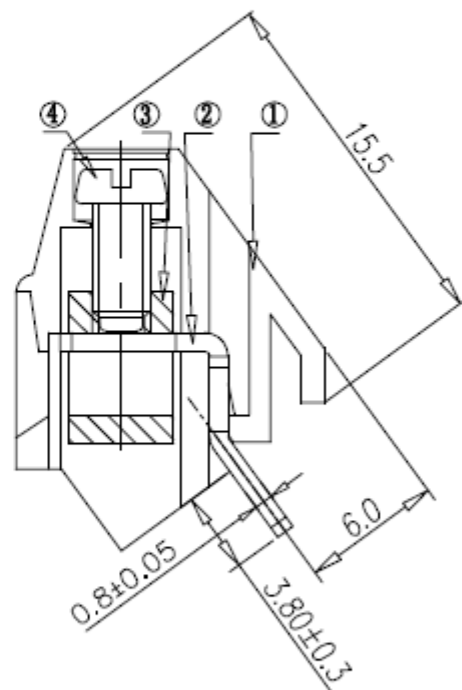


Notes:

1. Pitch: 5.0mm
2. Rated voltage/current: UL 300V/10A
VDE 250V/24A
3. Insulation resistance: 5000MΩ/DC1000V
4. Withstanding voltage: AC2000V/1Min
5. Wire range: 24-12AWG 2.5mm²
6. Temp. Range: -40° C~+105° C
7. Torque: 4.08kgf.cm
8. Undimensioned Tolerances:

REVISION RECORD				
REV	ECO	DESCRIPTION	DRAFT	DATE
△		Drawing Revise	Haoyh	03/20/06
△		增加VDE、CE标志	LJH	11/24/07
△		增加VDE参数	LJH	01/03/08

Pitch range in mm			Nominal dimension range in mm					
	over 6	over 10		over 30	over 60	over 100	over 150	—
to 6	to 10	to 24	to 30	to 60	to 100	to 150		∩
								◇
±0.10	±0.15	±0.25	±0.2	±0.3	±0.5	±0.7	±1.0	0.05/10



SECTION A-A

4	DG128 [®] —Screw	S000001460 (R)	XX	Steel	G [*] Zn
3	DG128 Cage	X000000020 (D)	XX	Brass	Ni plated
2	DG103 Pin	4025B00010 (D)	XX	Brass	SnCe

ITEM	NAME OF PART	NO. OF PART	Q'TY	MATERIAL	NOTES
1	DG103-5.0-Housing	4025A0YXXA (H)	1	PA66	UL94V-0

← MM (INCH) → DFTD Haoyh DATE 03/20/06 CHKD DATE NFO DATE APPVL DATE MATERIAL : G.E : FINISH : SCALE : 1:1	宁波高正电子有限公司 DEGSON[®] DEGSON ELECTRONICS CO., LTD NAME DG103-5.0-XXP-1Y-00A(H) DRAWING NO. DG103-5.0-E07 /PART NO. SHEET 1 OF 1 REV T3 11/23/07
--	--