

**SH-083**

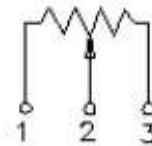
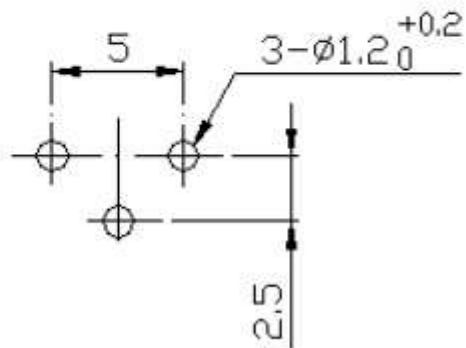
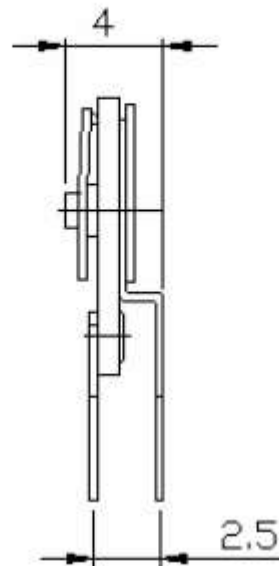
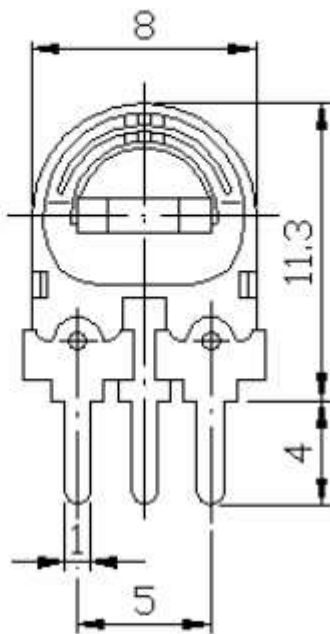


**Part Number**

**SH-083 – 3K**

Resistance Value

**Dimensions**



## Electrical & Mechanical Characteristics

1	Resistance Range	100Ω ~ 2 MΩ
2	Resistance Tolerance	± 20%
3	Resistance Taper	B Curve ( Linear Change with 45°)
4	Rated Power	0.1 Wattage
5	Max. Operating Voltage	100 V
6	Rotating angle	250° ± 20 %
7	Rotating Torque	40 - 250 g - cm.
8	Rotating Strength	Min. 1 Kg - cm.
9	Rotating Life	±10% Resistance change max. after 50 rotations (return)
10	Temperature Characteristic	+5% and -20% resistance change max. after 5 hours at 70°C
11	Load Characteristic	±5% resistance change after using 3 hours at a normal temperature.
12	Moisture Characteristic	±15% resistance change after 5hours within 95% humidity at 40°C.