

TOSHIBA Photocoupler GaAs Ired & Photo-Transistor

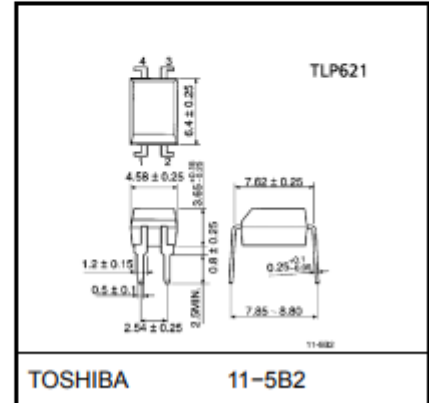
TLP621, TLP621-2, TLP621-4

Programmable Controller
AC / DC-Input Module
Solid State Relay

The TOSHIBA TLP621, -2 and -4 consists of a photo-transistor optically coupled to a gallium arsenide infrared emitting diode. The TLP621-2 offers two isolated channels in an eight lead plastic DIP, which the TLP621-4 provides four isolated channels in a sixteen plastic DIP.

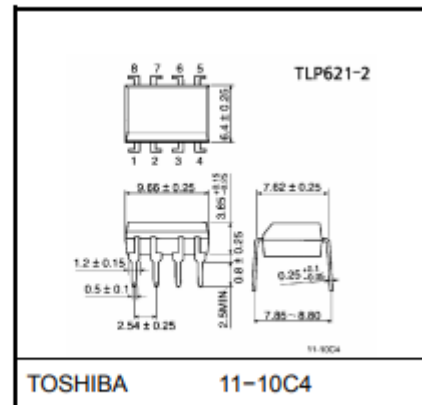
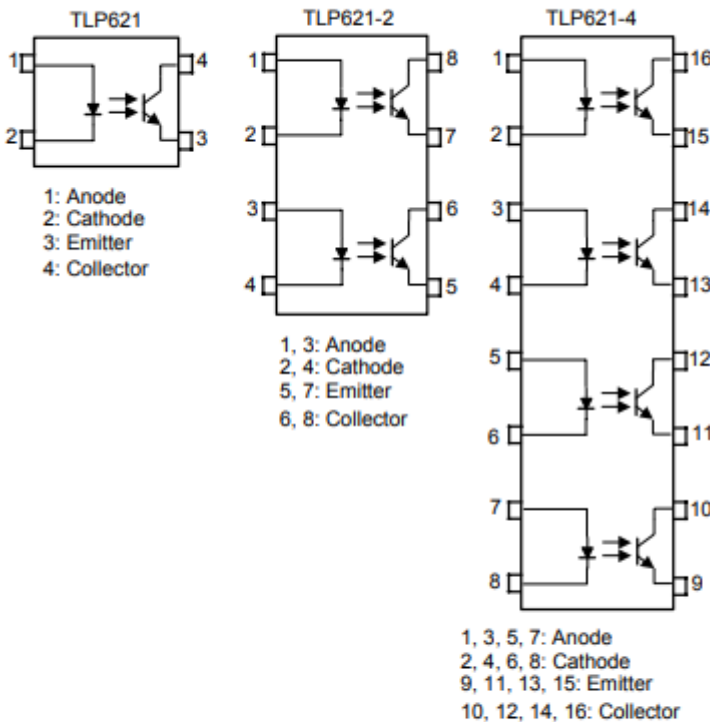
- Collector-emitter voltage: 55 V (min.)
 - Current transfer ratio: 50% (min.)
- Rank GB: 100% (min.)

Unit in mm

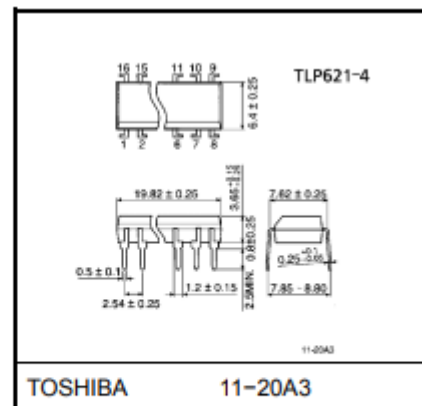


Weight: 0.26 g

Pin Configurations (top view)



Weight: 0.54 g



Weight: 1.1 g

• Current Transfer Ratio

Type	Classi- fication *1	Current Transfer Ratio (%) (I_C / I_F)		Marking Of Classification
		$I_F = 5\text{mA}, V_{CE} = 5\text{V}, T_a = 25^\circ\text{C}$		
		Min.	Max.	
TLP621	(None)	50	600	Blank, Y, Y*, G, G*, B, B*, GB
	Rank Y	50	150	Y, Y*
	Rank GR	100	300	G, G*
	Rank BL	200	600	B, B*
	Rank GB	100	600	G, G*, B, B*, GB
TLP621-2 TLP621-4	(None)	50	600	Blank, GR, BL, GB
	Rank GB	100	600	GR, BL, GB

*1: Ex. rank GB: TLP621 (GB)

(Note) Application type name for certification test, please use standard product type name, i.e.

TLP621 (GB): TLP621

TLP621-2 (GB): TLP621-2

	Made In Japan	Made In Thailand
UL recognized	E67349 *2	E152349 *2
BSI approved	6508, 7445 *3	6505, 7445 *3
SEMKO approved	9735090 / 01 *4	—

*2 UL1577

*3 BS EN60065: 1994, BS EN60950: 1992

*4 EN60950 (approved is TLP621 only)

• Option (D4) type

VDE approved: DIN VDE0884 / 06.92, certificate no. 68384

Maximum operating insulation voltage: 890 V_{PK}

Highest permissible over voltage: 8000 V_{PK}

(Note) When a VIDE0884 approved type is needed, please designate the "Option (D4)"

	7.62 mm pitch standard type	10.16 mm pitch (LF2) type
• Creepage distance	: 6.4 mm (min.)	8.0 mm (min)
Clearance	: 6.4 mm (min.)	8.0 mm (min)
Insulation thickness	: 0.4 mm (min.)	0.4 mm (min)