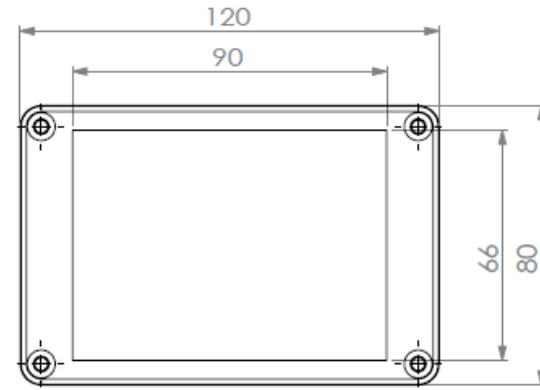
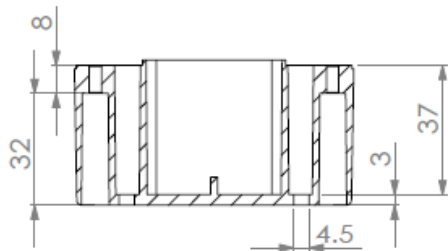


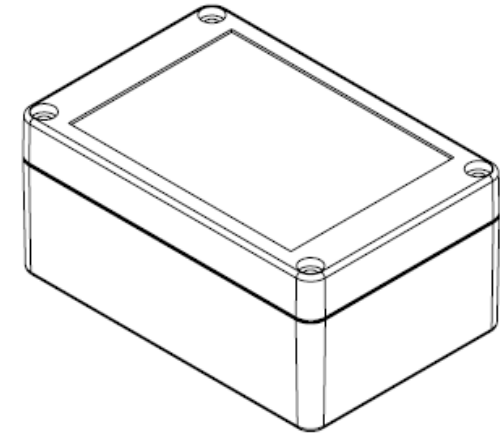
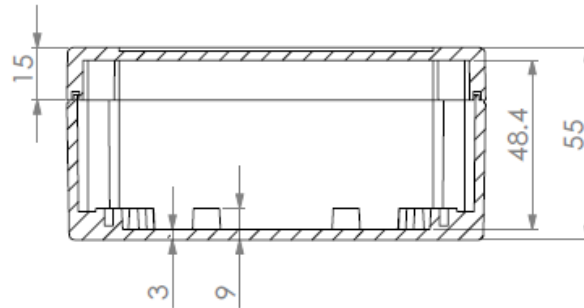
VIEW OF BASE



VIEW OF LID



SECTION A-A
SCALE 3:4



TOLERANCES: +/- 0.25 mm

宣又實業有限公司 GAINTA INDUSTRIES LTD.	繪圖	DRA'D BY	日期	DATE	材質	MATE.	圖名TITLE:	圖號DWG NO:	版次REVISID:
		JACKY		2009/9/23			G2104/G3107		C